

DC TO 10KHZ FREQUENCY RANGE

DESCRIPTION

The model VT7 dc voltage transducer provides an output directly proportional to the input. It functions as a milliVolt shunt or high-voltage isolator.

This unit is primarily intended to measure and isolate dc voltages, but may also be used to monitor ac and non-sinusoidal waveforms. The output signal is a scaled replica of the input (ac input = ac output, etc.). For ac or bidirectional dc applications, a model with bidirectional output type must be used.

A wide variety of standard input ranges and output types are available. Consult factory for special ranges.

FEATURES

- dc voltage measurement
- 2500Vac dielectric test
- Wide frequency range

APPLICATIONS

- Accurate measurement and isolation of dc voltages.
- Shunt isolator



5 YEAR WARRANTY

MODEL SELECTION

*INPUT (mV)	STANDARD OUTPUTS MODEL VT7-			
	0-±1mA	4-20mA	0-±10V	0-±5V
*0 - 50	015B	015E	015D	015X5
*0 - 100	016B	016E	016D	016X5
*0 - 200	017B	017E	017D	017X5
*0 - 250	018B	018E	018D	018X5
INPUT (Volts)	STANDARD OUTPUTS MODEL VT7-			
	0-±1mA	4-20mA	0-±10V	0-±5V
0 - 10	001B	001E	001D	001X5
0 - 25	002B	002E	002D	002X5
0 - 50	003B	003E	003D	003X5
0 - 100	004B	004E	004D	004X5
0 - 150	005B	005E	005D	005X5
0 - 250	006B	006E	006D	006X5
0 - 300	007B	007E	007D	007X5
0 - 400	008B	008E	008D	008X5
0 - 500	009B	009E	009D	009X5
0 - 600	010B	010E	010D	010X5
**0 - 700	011B	011E	011D	011X5
**0 - 800	012B	012E	012D	012X5
**0 - 900	013B	013E	013D	013X5
**0 - 1000	014B	014E	014D	014X5

* Shunt inputs

** Supplied with external divider box.

Instrument Power Options

Option “-11” 115Vac ±15%, 50/60Hz, 5VA

Option “-22” 230Vac ±15%, 50/60Hz, 5VA

Options “-12”, “-15”, “-24”, “-28”, “-37”, “-48”
12Vdc thru 48Vdc, ±10%, 150mA max.

Standard models contain a universal switching power supply.
“-11” & “-22” models utilize a linear power supply.

ORDERING INFORMATION

Example: 0-50mVdc Input with
4-20mAdc Output and
125Vdc Instrument Power
VT7-015E

SPECIFICATIONS

INPUT

Voltage (See Table)
Frequency Range dc-10kHz
Overload
0.05-600V models 2XF.S. or 600Vac/850Vdc max.
700V-1000V models (w/external divider box) 1.25XF.S.
Burden >100kΩ

DIELECTRIC TEST

Input/Output/Case 2500Vac

INSTRUMENT POWER

Standard ... 85-265Vac, 48-420Hz, 5VA or 110-370Vdc, 5VA
“-11” option 115Vac ±15%, 50/60Hz, 5VA
“-22” option 230Vac ±15%, 50/60Hz, 5VA
“-12”, “-15”, “-24” options 12, 15, or 24Vdc ±10%, 150mA max.
“-28”, “-37”, “-48” options 28, 37, or 48Vdc ±10%, 150mA max.

OUTPUT

Type (See Table)
Response (to 90%) 50µs
Loading
“B” models (0-1mA) 0-10kΩ
“D”, “X5” models (0-10, 0-5V) >2kΩ
“E” models (4-20mA) 0-500Ω
Field Adjustable Cal. ±10%

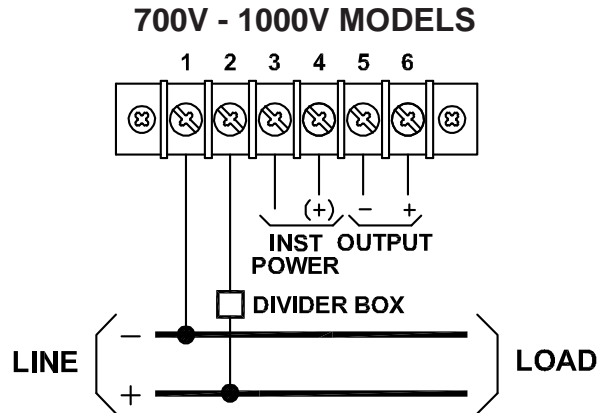
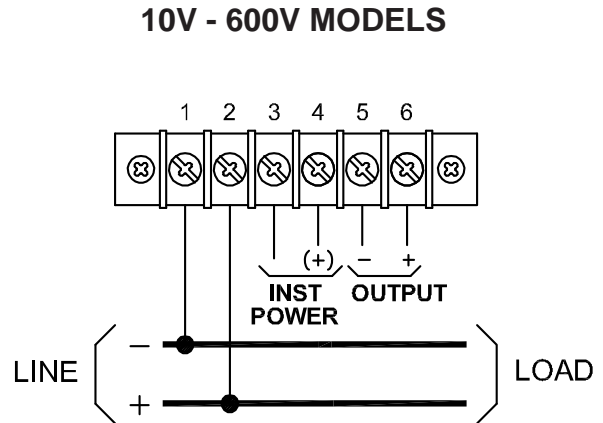
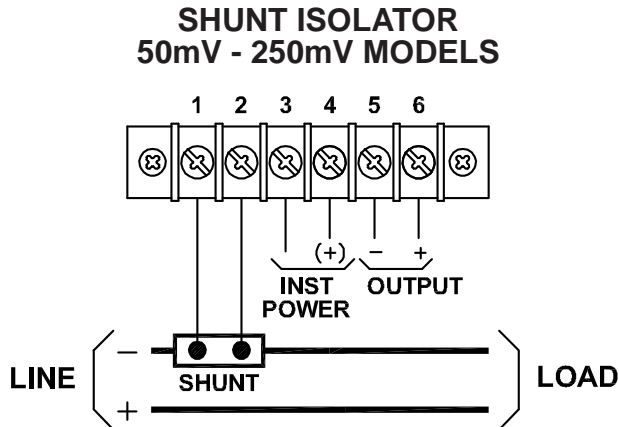
ACCURACY

Includes effects of linearity, setpoint and repeatability.
All Models ±0.25% F.S. @ DC

TEMPERATURE

Operating Range -10°C to 60°C
Effect ±1.0% Rdg., ±0.1% F.S.

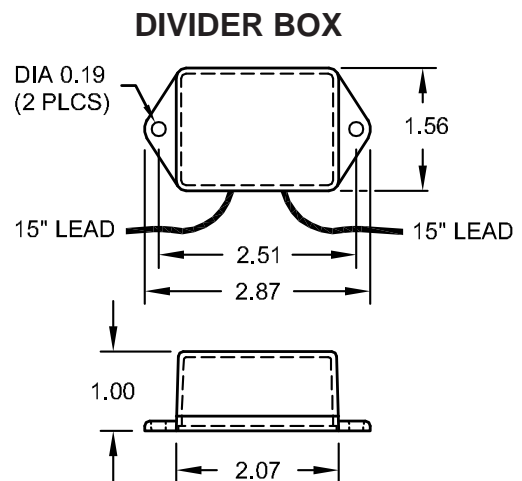
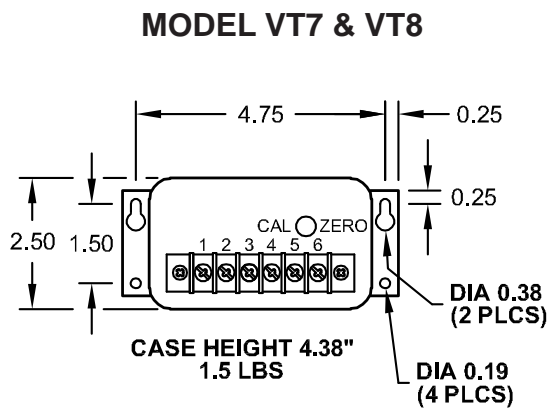
CONNECTION DIAGRAMS



Dwg# 0902-00847-B Rev B

Note: All models above 600V input require a divider box in series with the input terminal #2. Do not connect the input voltage directly! Damage to the VT7 will result if not properly connected.

CASE DIMENSIONS



All dimensions in inches

Dwg# 0902-00847-B Rev B