

## DESCRIPTION

The Model PS-4753 universal power supply is designed to interface with the CTLC, CTG, CTH and CTU series current transducers to provide the excitation current (instrument power) that the open-loop Hall-effect sensor requires.

Instrument power to the PS-4753 is rated at 110Vdc-370Vdc or 85Vac -265Vac, or with option 3 or 4, 15Vdc to 60Vdc.

A single or dual  $\pm 12$ Vdc or  $\pm 15$ Vdc output is available to power the sensor(s).

**5 YEAR WARRANTY**

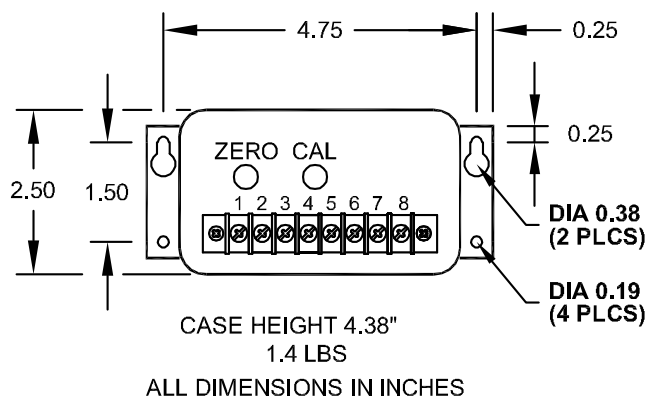


## MODEL SELECTION

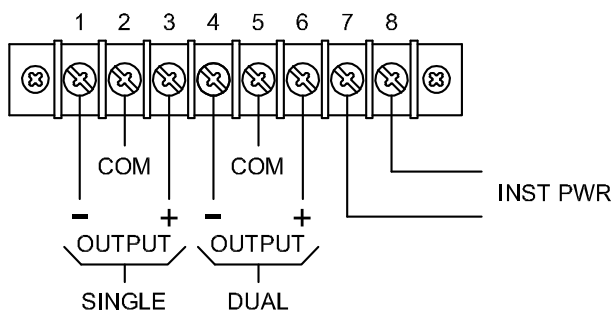
MODEL	INSTRUMENT POWER	OUTPUT (to Sensor)
PS-4753	110-370Vdc or 85-265Vac	$\pm 15$ Vdc (30Vdc)
PS-4753-2	110-370Vdc or 85-265Vac	Dual $\pm 15$ Vdc (30Vdc)
PS-4753-3	15-60Vdc	$\pm 15$ Vdc (30Vdc)
PS-4753-4	15-60Vdc	Dual $\pm 15$ Vdc (30Vdc)
PS-4753-5	110-370Vdc or 85-265Vac	$\pm 12$ Vdc (24Vdc)
PS-4753-6	110-370Vdc or 85-265Vac	Dual $\pm 12$ Vdc (24Vdc)

DIELECTRIC TEST..... Input/Output/Case.....2500Vac

## CASE DIMENSIONS

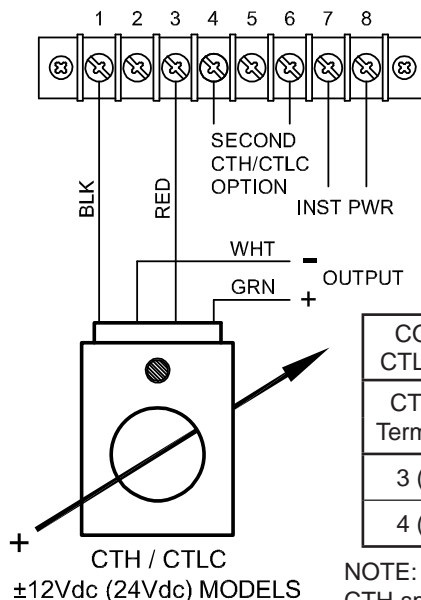


## CONNECTION DIAGRAM



## CONNECTION EXAMPLES

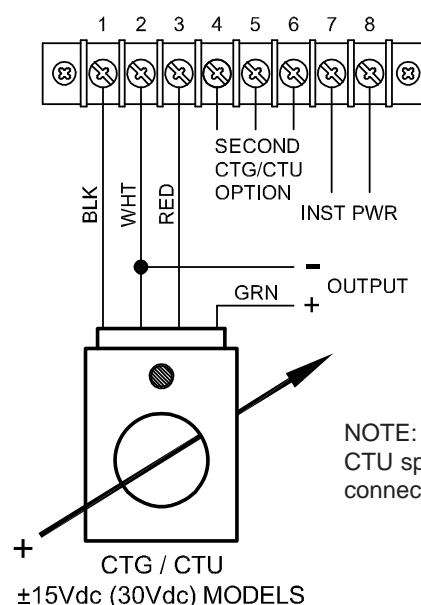
### CONNECTIONS TO $\pm 12$ Vdc (24Vdc) CURRENT SENSORS



CTLC Terminal	PS-4753 Term.	
	Single	Dual
3 (-)	1 (-)	4 (-)
4 (+)	3 (+)	6 (+)

NOTE: Refer to the CTLC or CTH spec sheet for additional connection details.

### CONNECTIONS TO $\pm 15$ Vdc (30Vdc) CURRENT SENSORS



NOTE: Refer to the CTG or CTU spec sheet for additional connection details.

Dwg# 0902-00679-B Rev B