

### MICROPROCESSOR-BASED

#### DESCRIPTION

The OFT series panel-mount meters are loop-powered 6-digit process meters that convert a 4-20mA signal to a customer-scalable display value.

#### FEATURES

- Control setup and calibration menus are accessed via two rear-panel switches
- Optional relay outputs (2)



### MODEL SELECTION

OFT    0 - 1 0 1

BASE METER		INSTRUMENT POWER		SIGNAL INPUT	
10	6-digit LCD (no relays)	0	self, from input loop	101	4-20mAdc
12	6-digit LCD with 2 relays				

#### ORDERING INFORMATION

Example: 6-digit display with setpoint relays, 4-20mAdc input, self-powered from input loop.

**OFT120-101**

### SPECIFICATIONS

#### PHYSICAL

Size .....Fits in 1/8 DIN cutouts (see pg 2)  
 Display .....0.5" 6-digit, enhanced contrast, extended temperature range, high-humidity sealed LCD  
 Range ..... -99999 to 999999  
 (6 digits plus negative sign and decimal point)  
 Scaling  
 No pots to adjust. Apply 4mA, enter display value at 4mA (-99999 to 999999), then apply 20mA and enter display value at 20mA. Meter will calculate and apply display offset and scaling.  
 Bezel .....Black, high-impact ABS plastic, UL 94V0  
 Gasket ..... 1/16" thick low-durometer, closed-cell neoprene foam, 1/2" wide adhesive back to meter. Forms a water-tight seal between panel and meter.  
 Connections .....Socketed screw terminal connectors  
 Mounting Hardware .....Provided (attached to meter)

#### INPUT

Type ..... 4-20mAdc (loop-powered)  
 Frequency ..... dc  
 Over/Under Range Indication  
 Meter displays polarity, most significant digit and the decimal point when input exceeds min/max range.

#### OUTPUT

Display Update Rate ..... 7.5 per second  
 Display Scaling  
 Decimal Point Location .....programmable, for 0, 0.0, 0.00, 0.000, 0.0000 or 0.00000 precision  
 Setpoint Relays (optional) ...300Vac/dc, 130mA max., solid-state, independently programmable NO or NC

#### INSTRUMENT POWER

Type .....self-powered, from 4-20mAdc input loop  
 Loop drop .....3.9V max., short-circuit protected

#### CONTROLS

Setup and calibration menus are accessed via two rear-panel switches. (See 7004-00094-A manual).

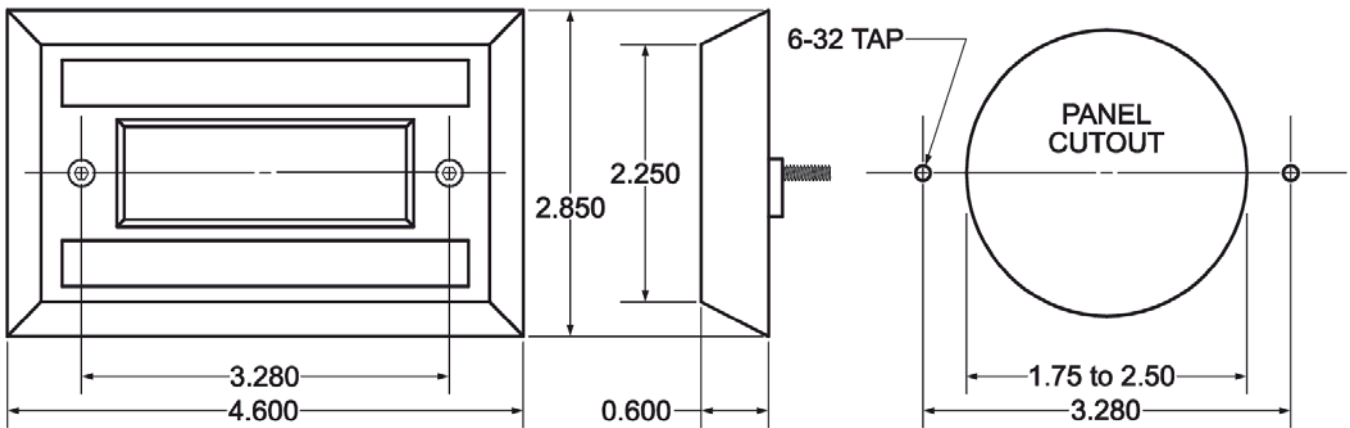
#### ACCURACY & RESOLUTION

Accuracy ..... <±0.05%  
 A/D Converter .. 24-bit: 1,000,000 counts of resolution  
 A/D Conversion rate .....7.5 per second

#### TEMPERATURE & ENVIRONMENTAL

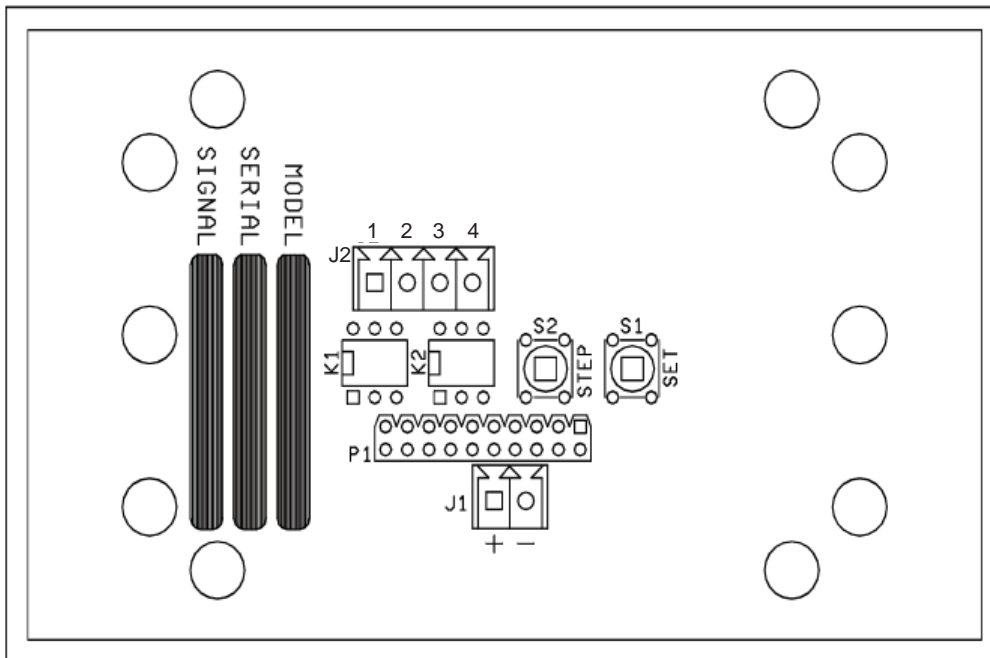
Operating and Storage Range ..... -20°C to +80°C  
 Operating Environment ..... Tested to NEMA 4X.  
 NOTE: Meter will tolerate exposure to most dilute acids and cleaning agents when properly installed.

**CASE DIMENSIONS**



Mounting: Meter installs from the front in 1/8 DIN or 1.75" to 2.5" round cutouts using a 9/32" Allen wrench. By removing the front-panel mounting hardware, the unit will screw directly onto most single-gang electrical boxes.

**CONNECTION DIAGRAM**



J1 INPUT (4-20mA)	
PIN	SIGNAL
1	+ Input
2	- Input

J2 RELAYS (FT120-101 only)	
PIN	SIGNAL
1	Setpoint 1 relay
2	Setpoint 1 relay
3	Setpoint 2 relay
4	Setpoint 2 relay

- NOTES: 1. Pin 1 is indicated by square symbol on each connector.  
 2. J2 relay connection is not used on OFT-100-101 model.  
 3. K1 & K2 relays are not used on OFT-100-101 model.

NOTE: Refer to manual (7004-00094-A) for details on set-up and calibration of meter.