

DESCRIPTION

The model CTU-XXXXZ is an open-loop Hall-effect current transducer. Hall-effect sensors detect the strength and direction of the magnetic flux created by current flowing in a conductor. Appropriate signal conditioning provides an output proportional to both the amplitude and direction of the measured current.

Ease of installation in either new or retrofit applications is provided by the compact split-core packaging.

MODEL NUMBER

CTU – XXXX Z

XXXX	INPUT DC Range	Z	Output Type
0025	±0-25Adc	B	0-±1mAdc
0050	±0-50Adc	D	0-±10Vdc
0100	±0-100Adc	X5	0-±5Vdc
0150	±0-150Adc	E	4-20mAdc
0200	±0-200Adc	EM	4/12/20mAdc
0300	±0-300Adc		
0400	±0-400Adc		
0500	±0-500Adc		
0600	±0-600Adc		
0800	±0-800Adc		
1000	±0-1000Adc		
1500	±0-1500Adc		
2000	±0-2000Adc		



SPECIFICATIONS

INPUT

Current Range See model selection
Over-range (w/o damage)..... >5kA max.

DIELECTRIC TEST

Input window 2200Vac
Inst. Power to output 600Vac

INSTRUMENT POWER

Voltage...(Std) 12Vdc, ±10%
Current 100-120mAdc
Optional 24Vdc, ±10% Add suffix “-24”
Current 55-75mAdc

TEMPERATURE

Operating range -40°C to +85°C
Temperature effect ±0.025%/°C

OUTPUT

Type See Table
Scaling See Table
Loading Model B 0-10kΩ
Models D & X5 ≥2kΩ
Models E & EM 0-500Ω
Response time (90%) 5ms typical

ACCURACY

Setpoint, Linearity & Repeatability ±0.5% F.S.
Setpoint for 0025Z ±1.0% F.S.
Zero Offset (after 10X over-range) .. ±0.04% F.S.
(-1000, -1500, -2000).... <±0.4% F.S.

PHYSICAL

Operating Humidity 0-95% non-condensing
Weight (including cable)..... ≤0.75lb.
Termination Supplied with 8 ft., 4-conductor,
22AWG, detachable cable



OhioSemiconductors, Inc.
What Can We Measure for You?

WWW.OHIOSEMITRONICS.COM

4242 Reynolds Drive
Hilliard, Ohio 43026-1264

TELEPHONE: 614-777-1005

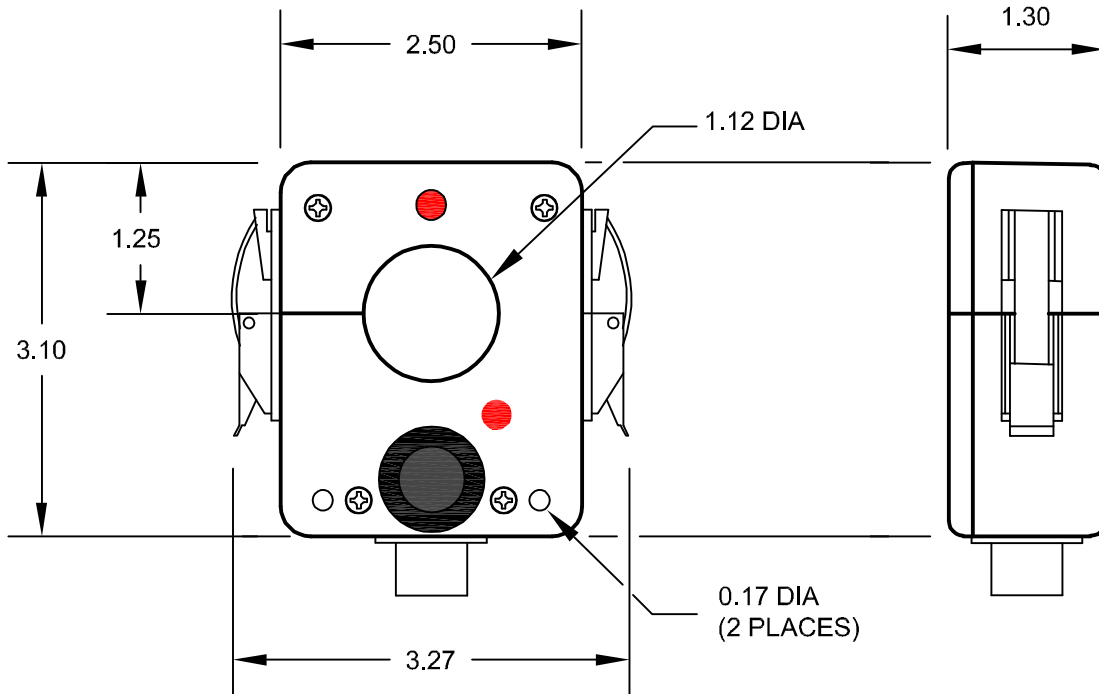
TOLL FREE: 1-800-537-6732

FAX: 614-777-4511

DC CURRENT TRANSDUCER

MODEL CTU-XXXXZ

CASE DIMENSIONS

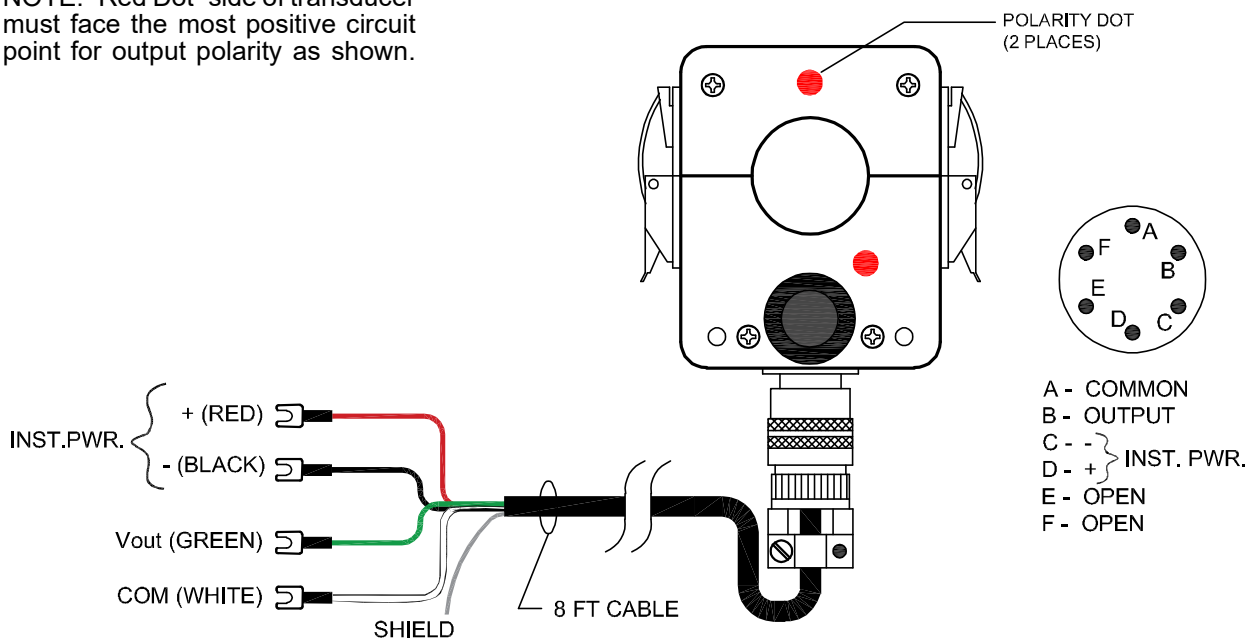


DIMENSIONS ARE IN INCHES
TOLERANCE: ± 0.03 IN

Dwg# 0902-01037-B Rev-E

CONNECTION DIAGRAMS

NOTE: "Red Dot" side of transducer must face the most positive circuit point for output polarity as shown.



Dwg# 0902-01037-B Rev-E



Ohio Semitronics, Inc.
What Can We Measure for You?

WWW.OHIOSEMITRONICS.COM

4242 Reynolds Drive
Hilliard, Ohio 43026-1264

TELEPHONE: 614-777-1005

TOLL FREE: 1-800-537-6732

FAX: 614-777-4511