

# OSI HALL-EFFECT CURRENT TRANSDUCER MODEL CTLP-

## LOOP POWERED

## MODEL SELECTION

### DESCRIPTION

The model CTLP is a Hall-effect current sensor with signal conditioning in a single compact package. Hall-effect current measurement is a non-contact technique that measures the magnetizing effects of current flowing in a conductor. Advantages of this technique include high electrical isolation between the measured conductor and transducer output, high over-range capability and fast response to input changes.

This loop-powered design simplifies installation by reducing instrument power and output signal connections to a simple 2-wire interface.

**5 YEAR WARRANTY**



A Case



Z Case Split Core

INPUT	CASE	MODEL
0-25A dc	A	CTLP-025
0-50A dc	A	CTLP-050
0-100A dc	A	CTLP-100
0-400A dc	Z	CTLP-401HL
0-500A dc	Z	CTLP-501HL
0-600A dc	Z	CTLP-601HL
0-800A dc	Z	CTLP-801HL
0-1000A dc	Z	CTLP-102HL
0-1500A dc	Z	CTLP-152HL
0-2000A dc	Z	CTLP-202HL
0-3000A dc	Z	CTLP-302HL

## SPECIFICATIONS

### INPUT

Current Range.....(See Table)  
 Over-range w/o damage ... Continuous..... 10X Rated  
 Frequency Range..... dc

### OUTPUT

Type ..... Loop-powered.....4-20mA dc  
 Scaling ..... 0-F.S. Input = 4-20mA dc Output  
 Loading ..... 24Vdc loop-power, ±15%..... 0-500Ω  
 Response ..... to 90% ..... 500μs, Typical

### DIELECTRIC TEST

Conductor through Window to Output..... 2200Vac

### ACCURACY (Setpoint, Linearity, Repeatability)

CTLP-025 ..... ±2.0% F.S.  
 CTLP-050, CTLP-100 ..... ±1.0% F.S.  
 All Others ..... ±0.5% F.S.

### INSTRUMENT POWER

Loop-powered ..... Voltage.....24Vdc, ±15%

### TEMPERATURE

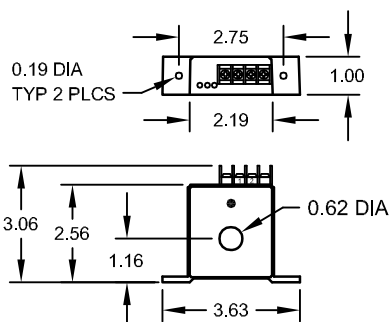
Operating Range ..... standard..... 0 to +40°C  
 "T" option ..... -40°C to +60°C  
 Effect ..... A case ..... standard..... ±2.0% F.S.  
 "T" option ..... ±3.0% F.S.  
 Z case ..... standard..... ±1.0% F.S.  
 "T" option ..... ±2.5% F.S.

### PHYSICAL

Termination.....6-32 Screw Terminals  
 Enclosure ..... A case ..... Noryl SE1X, Gray  
 Z case ..... Noryl SE1X, Black  
 Weight ..... A case ..... 0.2 lb.  
 Z case ..... 1.4 lb.

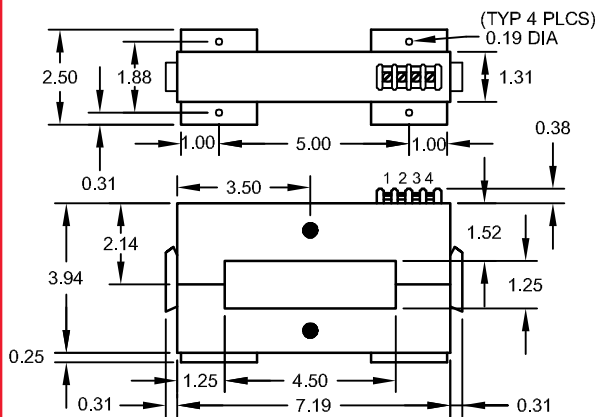
## CASE DIMENSIONS

### A CASE MODELS



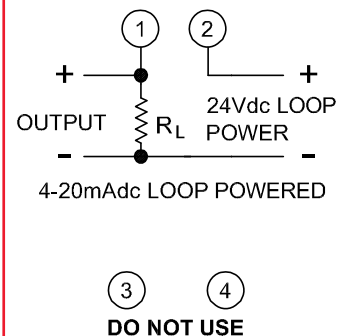
ALL DIMENSION ARE IN INCHES.  
 TOLERANCE: 0.00 ±0.03.

### Z CASE MODELS



## CONNECTIONS

### ALL MODELS



0902-00834-B Rev A

**OHIO SEMITRONICS, INC.** 4242 REYNOLDS DRIVE \* HILLIARD, OHIO \* 43026-1264  
 PHONE: (614) 777-1005 \* FAX: (614) 777-4511  
 WWW.OHIOSEMITRONICS.COM \* 1-800-537-6732