

RECTANGULAR WINDOW (BUS BAR) MODELS

CURRENT RANGE	MODEL NUMBER	TYPICAL OUTPUT	SENSOR SIZE
0 to 500A	CTL-202HS/500	50mV	Z
0 to 1000A	CTL-202HS/1000	100mV	Z
0 to 1000A	CTL-202ZZS/1000	100mV	ZZ
0 to 1500A	CTL-202HS/1500	150mV	Z
0 to 1500A	CTL-202ZZS/1500	150mV	ZZ
0 to 2000A	CTL-202HS/2000	200mV	Z
0 to 2000A	CTL-202ZZS/2000	200mV	ZZ
0 to 2000A	CTL-502HS/2000	60mV	Z
0 to 2500A	CTL-302ZZS/2500	125mV	ZZ
0 to 2500A	CTL-502HS/2500	75mV	Z
0 to 3000A	CTL-302ZZS/3000	150mV	ZZ
0 to 3000A	CTL-502HS/3000	90mV	Z
0 to 4000A	CTL-502HS/4000	120mV	Z
0 to 5000A	CTL-502HS/5000	150mV	Z



Window Size
 Z 1¹/₄ X 4¹/₂"
 ZZ 2⁷/₁₆ X 4¹/₂"

ORDERING INFORMATION

Example: 2000 Amp dc, Split-Core Current Sensor with Extended Temperature Range.

CTL-202HTS/2000

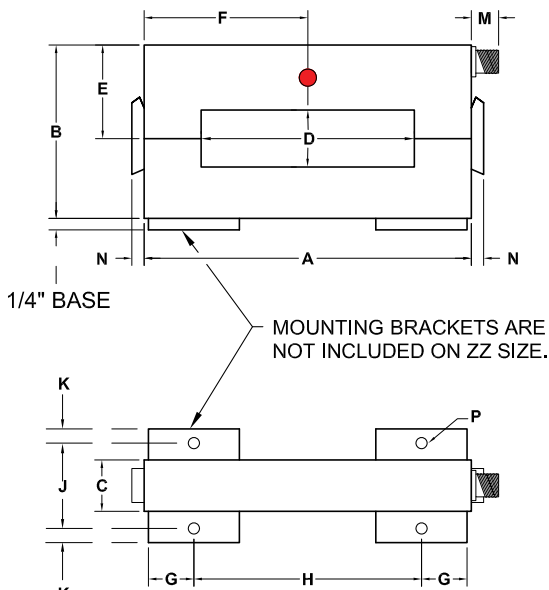
(Order in combination with appropriate CTA Signal Conditioner)

All standard models are configured with a split core. Solid-core option is available - Consult factory

5 YEAR WARRANTY



CASE DIMENSIONS Z & ZZ



Dwg. # 0902-00806-B Rev-A

SENS. SIZE	SENSOR DIMENSIONS (inches)													WT LBS.
	A	B	C	D	E	F	G	H	J	K	M	N	P	
Z	7.19	3.94	1.31	1.25 X 4.50	2.14	3.50	1.00	5.00	1.88	0.31	0.38	0.31	0.19	2.80
ZZ	7.19	5.50	1.13	2.44 X 4.50	2.50	3.50	N/A	N/A	N/A	N/A	0.38	0.31	N/A	3.50

SPECIFICATIONS

INPUT

Current Range See Table dc/peak ac
 Over-current (without damage) 50 X rating
 Resistance 23Ω ±5Ω
 Excitation Current 200mA

OUTPUT

Typical Output (@ 200mA excitation) Nominal ±30%
 Response Time (to 90% F.S.) 50μs, typical
 Resistance 25Ω ±15Ω
 Initial Offset <±2mV

DIELECTRIC TEST

Conductor Through Window to Output 2200Vac
 Suitable for installation on 600Vac or 850Vdc uninsulated bus

ACCURACY & LINEARITY

When Calibrated with CTA ±1% F.S.

TEMPERATURE

Operating Range
 Standard -10°C to +40°C
 Extended Add suffix "T" -40°C to +65°C
 Effect ±1% F.S.

CABLE LENGTH

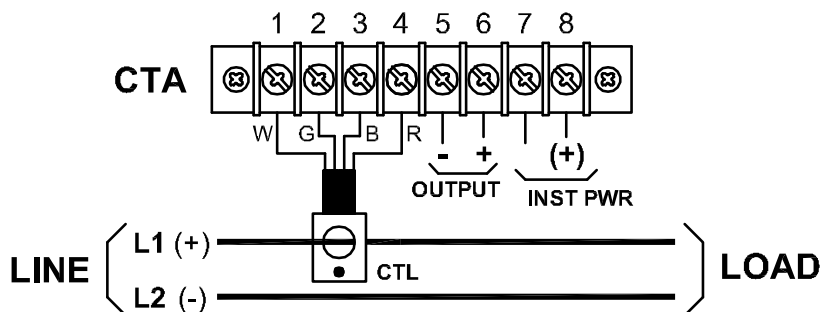
All models are supplied with detachable 8-foot cable. Longer cables are available - Consult factory.

NOTES:

CTL specifications are for unidirectional operation.
 For bidirectional, add suffix "Y122". (use with direct model CTA)
 CTA signal conditioners provide the excitation current (instrument power) that the CTL sensor requires, as well as amplifying the low-level (mV) signal into a more typical signal.
 See CTA spec sheet for details.

CONNECTION DIAGRAM

<u>PIN</u>	<u>COLOR</u>	<u>SIGNAL</u>
1	WHITE	OUTPUT (-)
2	GREEN	OUTPUT (+)
4	SHIELD	SHIELD
6	BLACK	EXCITATION (-)
8	RED	EXCITATION (+)



Dwg. # 0902-00922-B Rev A

“Red dot” side of CTL must face positive supply.
 All shields must be tied to terminal 3.
 DC Instrument Power is positive on terminal 8.

INSTALLATION AND OPERATION

INSTALLATION INSTRUCTIONS

1. Installation should be performed by qualified electricians only!
2. Make sure electrical service is disconnected before making any electrical connections.
3. Branch circuit protection is required to be provided in accordance with the National and Local codes of the inspection authority.
4. Route wires as required and secure to terminals per connection diagram on this sheet and on the unit.
5. Transducers are suitable for installation on 600Vac lines.
6. To prevent contact with live circuits, when installed on a bare bus bar, the transducer is required to be mounted in an enclosure that requires the use of a tool for access. When installed on an insulated cable this second enclosure is not required.

OPERATING INSTRUCTIONS

1. This unit is intended for indoor use at altitudes up to 2000 meters.
2. Transient overvoltages according to Installation Category (overvoltage category) II, pollution Degree 2.
3. If cleaning of the exterior surface is necessary, de-energize all services of supply (both measuring and instrument power circuits) and brush with a soft brush or blow off with low-pressure air. Use appropriate eye protection. Not suitable for hose-down cleaning.
4. Maximum relative humidity 80 percent for temperatures up to 31°C decreasing linearly to 50 percent relative humidity at 40°C.
5. Maximum operating temperature range is -20°C to 60°C.



UL approved for USA and Canada



Both Direct (dc) and Alternating (ac) current

WARRANTY STATEMENT

Ohio Semitronics Inc. warrants this unit to be free of defects in material and workmanship for a period of five years from date of shipment. This unit must not be used in any manner other than as specified in this document.