

DESCRIPTION

The CTF and CTFB current sensors are closed-loop, highly-precise electronic sensors designed for ac, dc, pulse and variable-frequency drives. The output is directly proportional to the input and the output waveform is identical to the “through-window” current.

0.1% Linearity

5 YEAR WARRANTY

Model CTFB



Model CTF



The CTF and CTFB provide 0.1% linearity. Rugged construction and reduced temperature sensitivity ensure reliable measurements over a wide range of temperatures.

Models are provided in enclosures or circuit board arrangement.

Use CTA800-* for instrument power source and output signal conditioning.

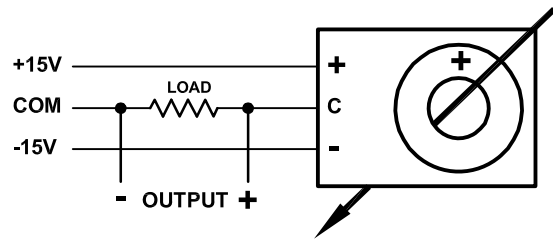
MODEL SELECTION

MODEL NUMBER	INPUT CURRENT (AMPS)		TEMPERATURE		TURNS RATIO	OUTPUT				ACCURACY F.S. @ 25°C	LINEARITY F.S.	SENSOR CASE SIZE
	AC	DC	RANGE	OFFSET OVER RANGE		AC		DC				
						CAL	LOAD	CAL	LOAD			
CTFB-100TT	100	150	-25° to +70°C	+0.75mA	1000:1	100mA	0-50Ω	150mA	0-50Ω	±0.4%	±0.1%	1
CTFB-100T	100	150	-40° to +80°	+1.0mA	1000:1	100mA	0-50Ω	150mA	0-50Ω	±0.4%	±0.1%	1
CTFB-300TT	300	750	-25° to +70°	+0.6mA	2000:1	150mA	0-40Ω	375mA	0-15Ω	±0.4%	±0.1%	1
CTFB-300T	300	750	-40° to +80°	+0.75mA	2000:1	150mA	0-40Ω	375mA	0-15Ω	±0.4%	±0.1%	1
CTF-500TT	500	750	-0° to +70°	+0.25 mA	5000:1	100mA	0-50Ω	150mA	0-15Ω	±0.3%	±0.1%	2
CTF-500T	500	750	-40° to +80°	+0.5mA	5000:1	100mA	0-50Ω	150mA	0-15Ω	±0.3%	±0.1%	2

SPECIFICATIONS

Current..... See Table
 Response Time..... (to 90%) 1μs
 di/dt..... 50A/1μs
 Bandwidth (-1dB)..... dc to 100kHz
 Instrument Power ±15Vdc to ±18Vdc
 Dielectric Test (input/output) 3kV
 Weight CTFB 0.4 lb
 CTF 2.2 lb

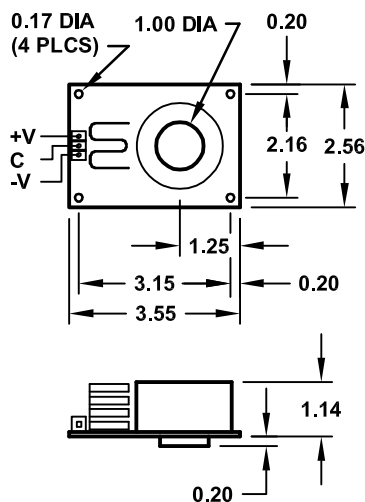
CTFB CONNECTIONS



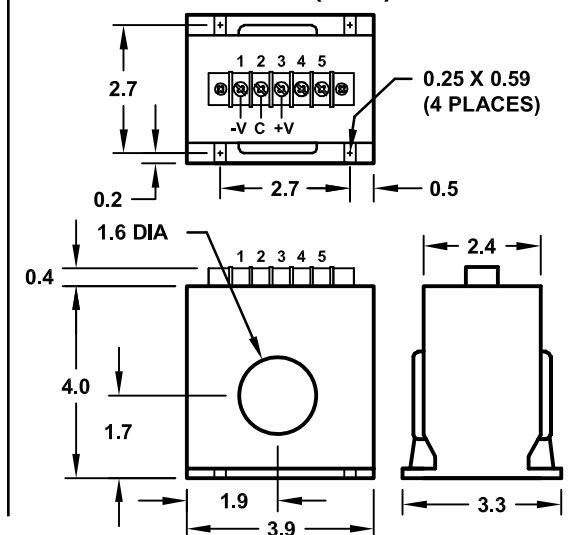
Mating connector and crimp pins supplied with unit.

CASE DIMENSIONS (in inches)

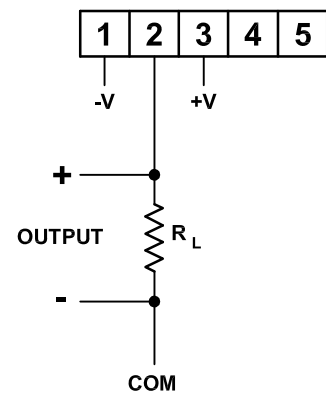
CASE 1 (CTFB)



CASE 2 (CTF)



CTF CONNECTIONS



Dwg. # 0902-00820-B Rev A