

DESCRIPTION

The CCT-800 is an 800:0.2A solid-core, compensated CT. A compensated CT uses additional windings and electronic circuitry to compensate for losses within the transformer. This technique provides high accuracy across a wide dynamic range of input and is especially useful at the low end of the input range (0-10%).

FEATURES

- ±0.1% Ratio Accuracy
- ±5.0 Minutes Phase Accuracy
- 100:1 Dynamic Range

APPLICATIONS

- Precision Measurements
- Standards

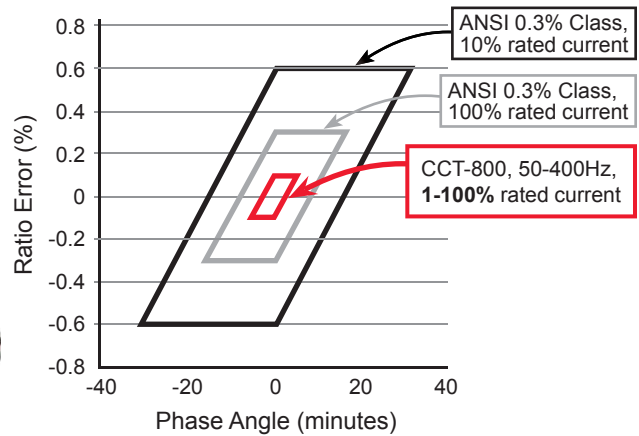
COMPENSATED CT



5 YEAR WARRANTY



Limits of Accuracy Class for Current Transformers



SPECIFICATIONS

INPUT

Current (Primary)..... I_P= 800Aac, max.
 Overrange without damage..... 1.2 X rating
 Frequency Range..... 16 to 400Hz

DIELECTRIC TEST

Input/Output/Case 2200Vac

INSTRUMENT POWER

Type ±15Vdc ±20%
 Current ≤10mAdc

OUTPUT

Scaling 0-800A Input = 0-0.2A Output (I_P/4000)
 Burden..... 0.1VA, max.

ACCURACY

Ratio..... 1-100% F.S. ±0.1% Rdg.
 Phase 1-100% F.S. ±5.0 minutes

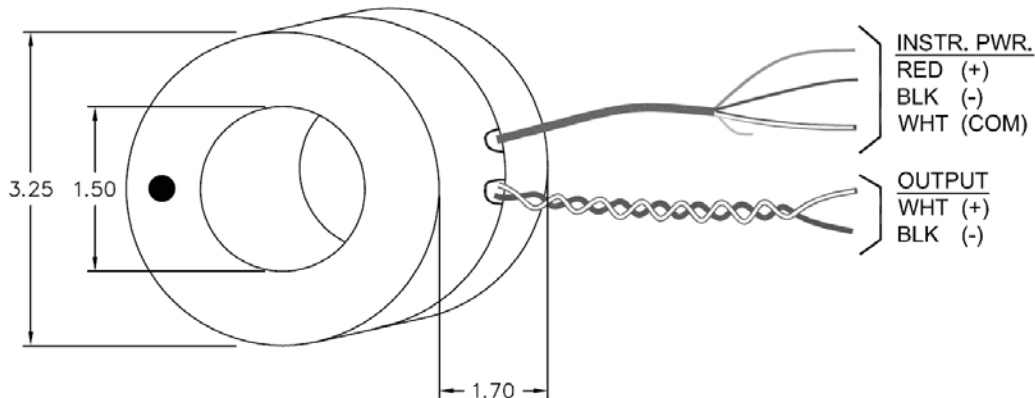
TEMPERATURE AND ENVIRONMENTAL

Operating Temperature Range..... -10 to 55°C
 Storage Temperature Range -25 to 60°C
 Operating Humidity 0-95% RH, non-condensing

PHYSICAL

Weight 0.80 lbs.
 Termination, Instrument Power
 3-Cond., PVC, shielded, brown 22AWG, 6ft.
 Termination, Output
 Twisted-pair, black/white 16AWG, 6ft.
 Enclosure ABS, Black

DIMENSIONS AND CONNECTIONS



All dimensions in inches

Tolerance - 0.00 ± 0.03 (Unless otherwise specified)

Dwg# 0902-00988-B Rev -- (prelim)