

MODEL SELECTION

TRANSDUCER TYPE		SYSTEM CONFIGURATION		INPUT VOLTAGE - NOMINAL				
AA	Measured Parameter(s) and Features	B	Phase (no. of elements)	C	1Ø 2W (Vac)	3Ø 3W (Vac)	3Ø 4W (Vac)	1Ø 3W (Vac)
T3	Watt	1	1Ø2W (1 ele.)	1	120VL-N	120VL-L	69VL-N/120VL-L	120VL-N/240VL-L
T5	Watt and Wh	2	3Ø3W (2 ele.)	2	240VL-N	240VL-L	120VL-N/208VL-L	
T6	Watt and Wh, High accuracy	3	3Ø4W (3 ele.)	3	480VL-N	480VL-L	277VL-N/480VL-L	
T7	Watt and Wh, Variable Frequency	4	1Ø3W (2 ele.)	4			**346VL-N/600VL-L	
T9	Watt and Wh, 40th Harmonic of 60Hz						**Suitable for 400VL-N/693L-L	
V3	Watt and VAR							
V5	Watt, VAR, Wh, VARh							
V6	Watt, VAR, Wh, VARh, High accuracy							
V7	Watt, VAR, Wh, VARh, Variable frequency							

W **AA** - **B** **C** - **DDD** (**D***) - **E** - **F** **G** (Replace letters in boxes with selected options.)

INPUT CURRENT - NOMINAL				ANALOG OUTPUT(S) (Watt and/or VAR)				PULSE OUTPUT (WH only)	
Direct Input (no CTs)		With External CTs		E		F		G	
DDD	Aac	DDD(D*)	Aac	Type	Response	Type	Type	Type	
001	1A	100(S)	100A	B	±1mAdc	(blank)	50mS (std.)	(blank)	Form C, solid-state relay (std.)
005	5A	200(S)	200A	D	±10Vdc	1	5S	T	5V, TTL compatible pulse
010	10A	300(S)	300A	E	4-20mAdc			K	Form C, solid-state relay, KYZ operation
		400(S)	400A	EM	4-12-20mAdc				
		500(S)	500A	X5	±5Vdc				
		600(S)	600A						
		800(S)	800A						
		1000(S)	1000A						
* S indicates split-core CTs.				SERIAL COMMUNICATION (replaces analog outputs)				COMMUNICATION CONNECTOR	
				M2	MODBUS RS422 (4-wire)			R	RJ-45 connector (std.)
				M3	MODBUS RS232			B	Screw terminals
				M5	MODBUS RS485 (2-wire)				

NOTES:

Models Wx7/WT9-xx are not available with direct input or with split-core CTs. Solid-core external CTs only.

Refer to the WMx series for expanded Modbus capabilities.

ORDERING INFORMATION

EXAMPLE: Watt/Wh transducer, 3Ø 4W, 277VL-N/480VL-L, 200A with solid-core CTs, ±0.5%F.S. accuracy analog output is ±10V with 50mS response, pulse output is form C solid-state relay.

Analog output scaling: 0-166.2kW Input = 0-10V Output

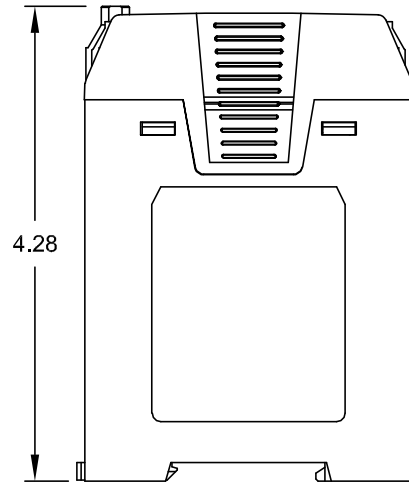
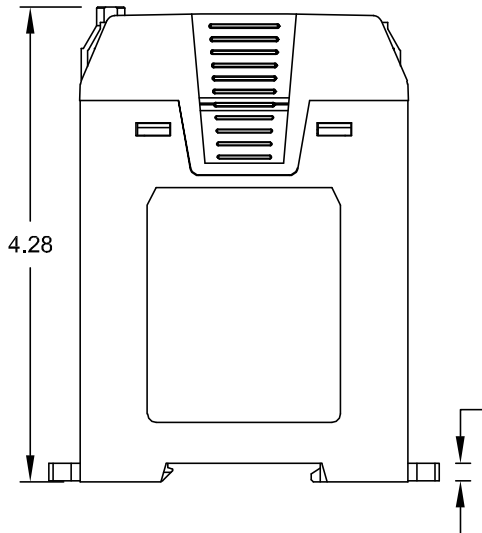
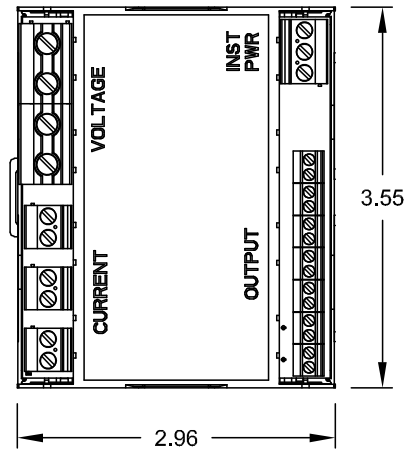
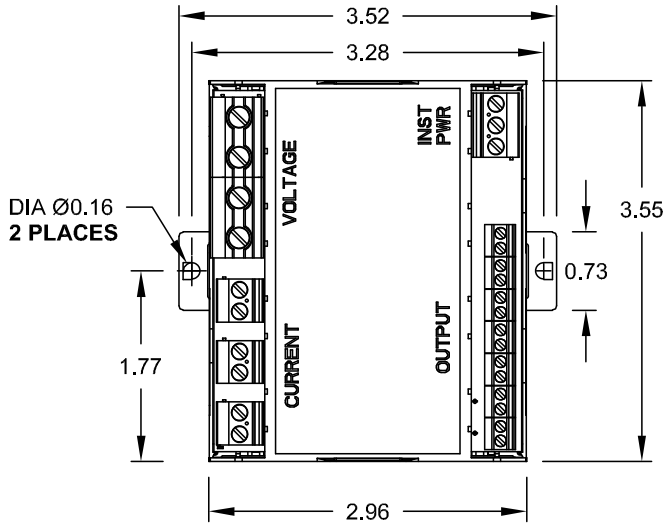
Pulse output scaling: 0.1kWh per pulse

Model number is: **WT5-33-200-D**

DIMENSIONS

With Panel Mount Adapters (OSI P/N 19754)

DIN Rail Mounting (35mm)

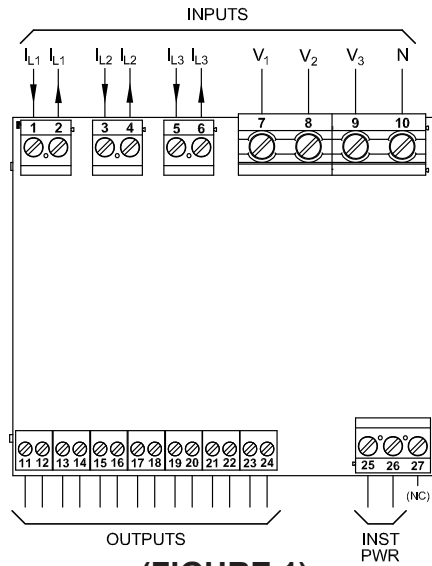


Dwg# 0902-01016-B Rev-D

DIMENSIONS FOR ALL MODELS
 All dimensions in inches. Tolerance - 0.00±0.03
 (unless otherwise specified)

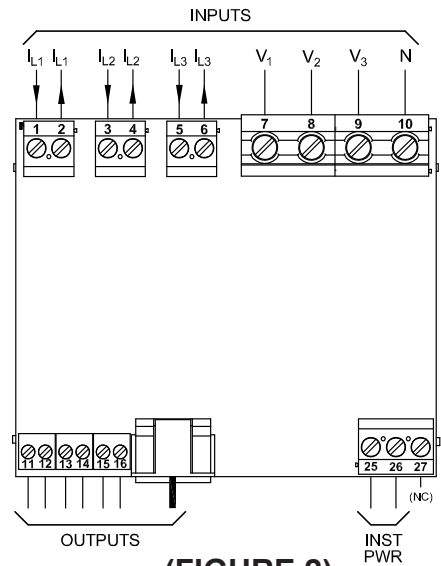
Dwg# 0902-01016-B Rev-D

TERMINAL IDENTIFICATION



(FIGURE 1)

Outputs based on table below.



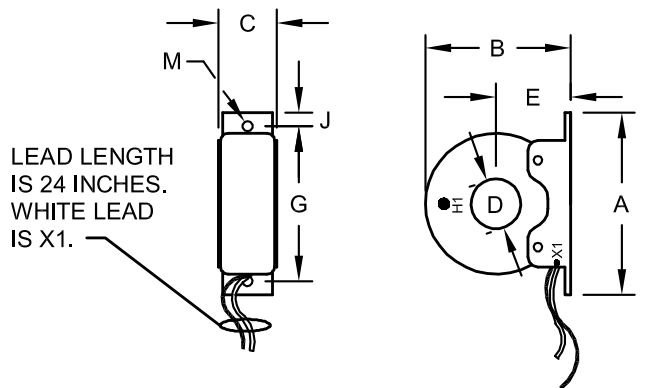
(FIGURE 2)

Dwg# 0902-01016-B Rev-D

Parameter "G" = Blank/K/T (FIGURE 1)														
	TB11	TB12	TB13	TB14	TB15	TB16	TB17	TB18	TB19	TB20	TB21	TB22	TB23	TB24
Mode	Analog				Wh-FWD			Wh-REV			Vh-LEAD		Vh-LAG	
STD/KYZ	Watts	COM	VARs	COM	C	N.C.	N.O.	C	N.C.	N.O.	N.O.	C	N.O.	C
TTL	Watts	COM	VARs	COM	COM	Wh-FWD	Wh-REV	(N/C)	(N/C)	(N/C)	N.O.	C	N.O.	C
Parameter "G" = B (MODBUS RTU w/Term. Blocks) (FIGURE 1)														
Mode	TB11	TB12	TB13	TB14	TB15	TB16	TB17	TB18	TB19	TB20	TB21	TB22	TB23	TB24
RS422	(N/C)	COM	(N/C)	(N/C)	(N/C)	Tx+	Tx-	Rx+	Rx-	(N/C)	(N/C)	5V	(N/C)	(N/C)
RS485	(N/C)	COM	(N/C)	(N/C)	(N/C)	Tx+/Rx+	Tx-/Rx-	Tx+/Rx+	Tx-/Rx-	(N/C)	(N/C)	5V	(N/C)	(N/C)
RS232	(N/C)	COM	(N/C)	(N/C)	(N/C)	(N/C)	(N/C)	Rx	Tx	(N/C)	(N/C)	5V	(N/C)	(N/C)
Parameter "G" = R (MODBUS RTU w /RJ45) (FIGURE 2)														
	RJ45								Term. Blocks					
Mode	Pin 1	Pin 2	Pin 3	Pin 4	Pin 5	Pin 6	Pin 7	Pin 8	TB 11	TB 12	TB 13	TB 14-16		
RS422	Rx-	Rx+	(N/C)	Tx+	Tx-	(N/C)	5V	COM	(N/C)	COM	5V	(N/C)		
RS485	Tx-/Rx-	Tx+/Rx+	(N/C)	Tx+/Rx+	Tx-/Rx-	(N/C)	5V	COM	(N/C)	COM	5V	(N/C)		
RS232	Tx	Rx	(N/C)	(N/C)	(N/C)	(N/C)	(N/C)	COM	(N/C)	COM	5V	(N/C)		

DIMENSIONS

Wx3,5-xx Solid-Core CTs

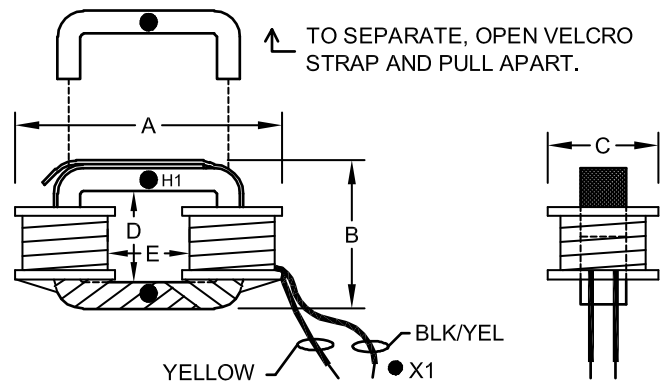


Dwg# 0902-00872-B Rev--

SENSOR SIZE	DIMENSIONS (inches)								WT. (lbs.)
	A	B	C	D	E	G	J	M	
100A-300A	4.50	3.70	1.25	1.25	1.94	3.88	0.34	0.27 X 0.44	1.43
400A-800A	6.50	4.70	1.25	2.50	2.46	5.75	0.39	0.28	1.61
1000A	6.50	4.70	1.25	3.00	2.46	5.75	0.39	0.28	1.10

LEAD LENGTHS24in.,14AWG, White (X1) and Black

Wx3,5,6-xx Split-Core CTs



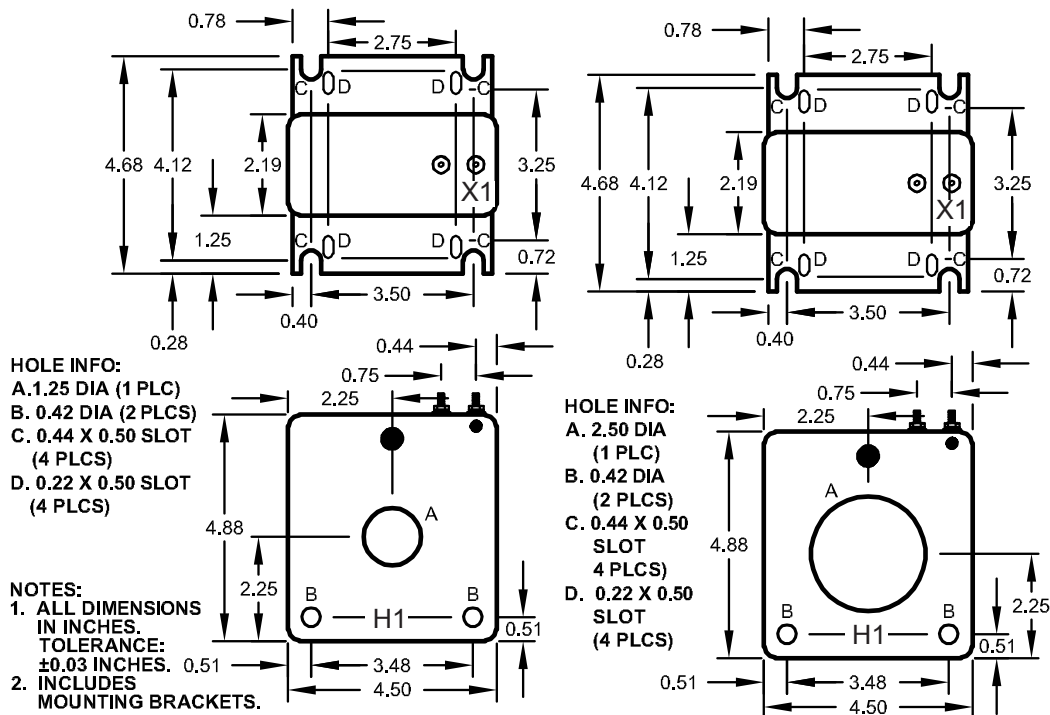
Dwg# 0902-00878-B Rev--

SENSOR SIZE	DIMENSIONS (inches)					WT. (lbs.)
	A	B	C	D	E	
100A-800A	3.85	3.80	1.30	2.40	1.25	0.8
1000A	5.50	4.90	1.60	3.15	3.20	1.5

LEAD LENGTHS 72in.,16AWG, Blk/Yel (X1) and Yellow

Wx6-xx Solid-Core CTs

Recommended Lead Lengths
72in., 16AWG, Twisted Pair



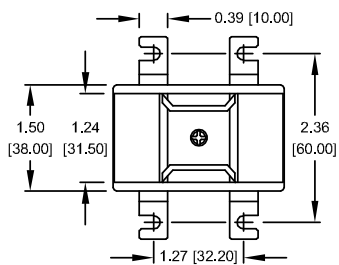
100A - 400A

500A - 1000A

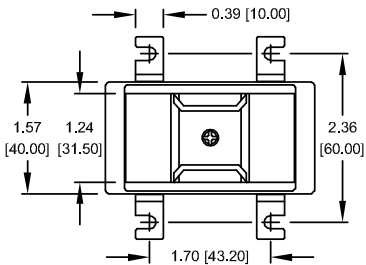
Dwg# 0902-00920-B Rev--

DIMENSIONS

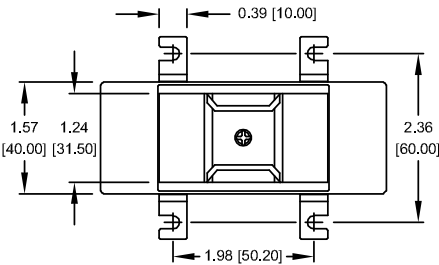
Wx7-xx, WT9-xx Solid-Core CTs



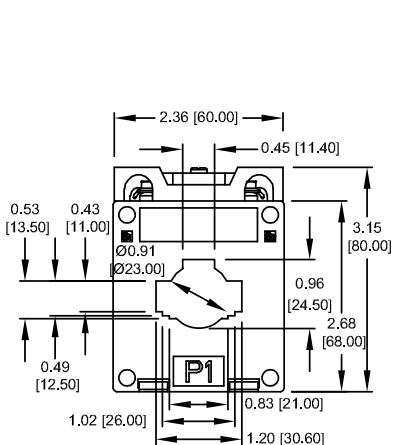
SIZE 1



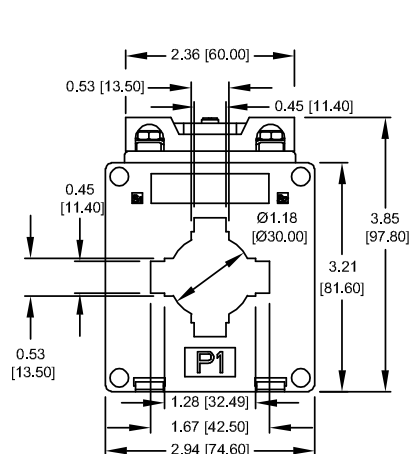
SIZE 2



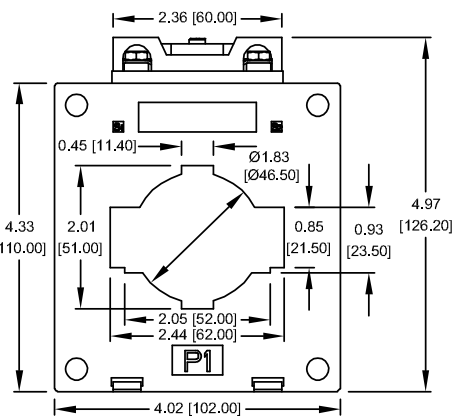
SIZE 3



100A - 300A

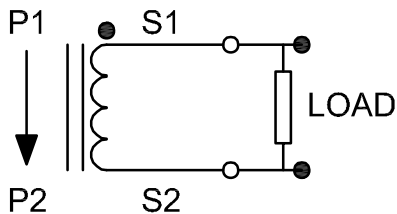


400A - 600A



800A - 1000A

Polarity Markings

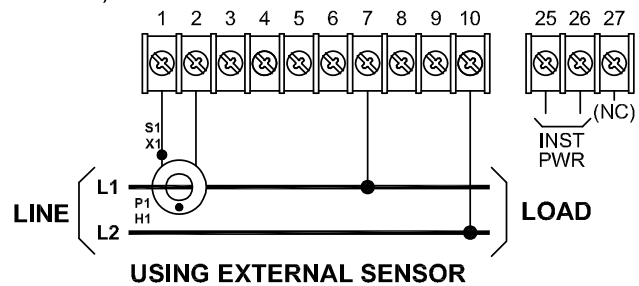
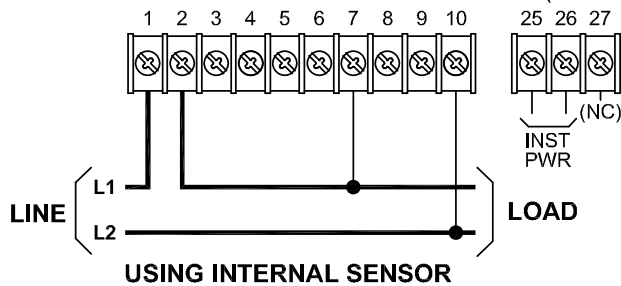


Recommended Lead Lengths

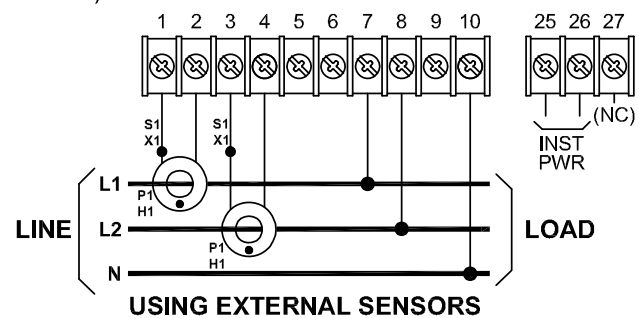
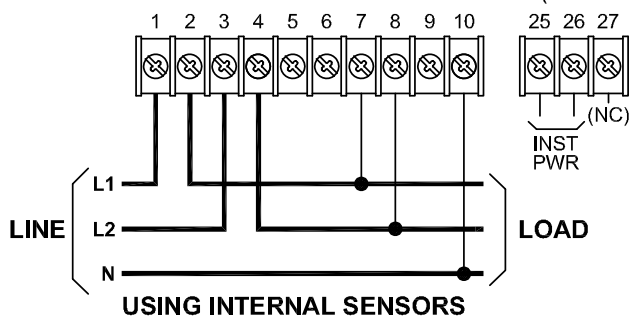
72in., 16AWG, Twisted Pair

CONNECTIONS

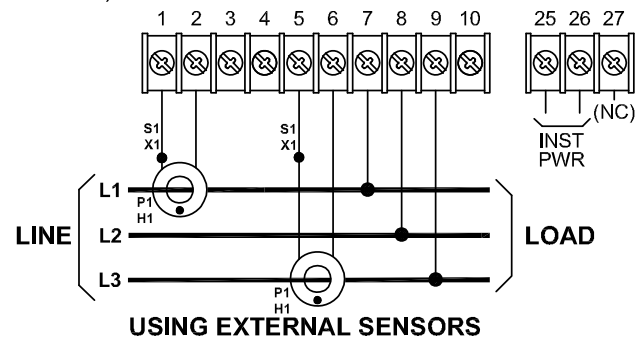
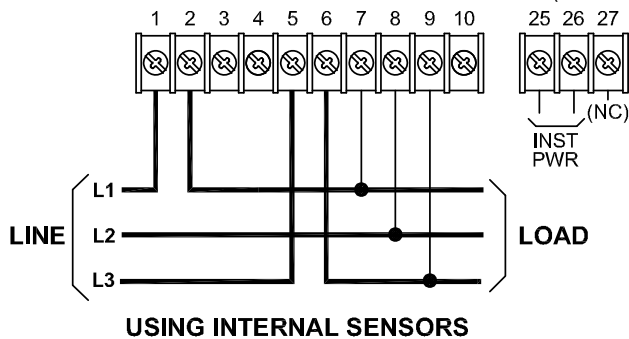
**SINGLE-PHASE, TWO-WIRE CONNECTIONS
(ONE ELEMENT)**



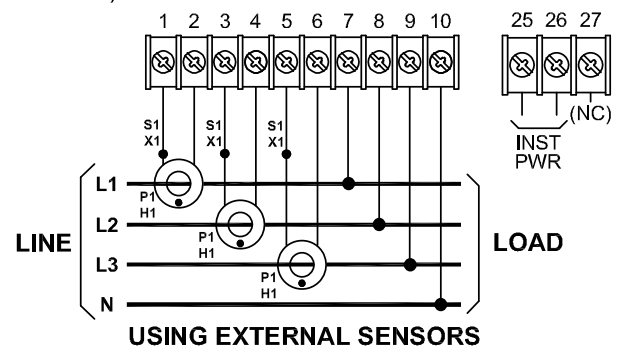
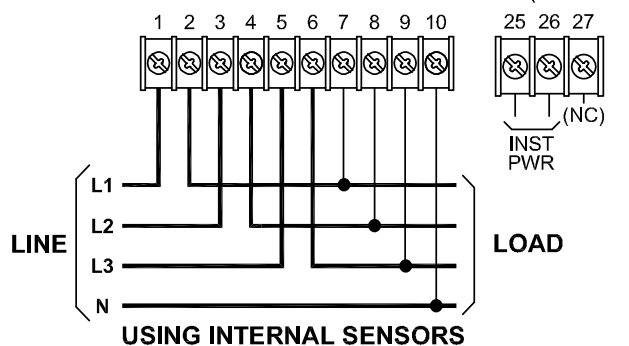
**SINGLE-PHASE, THREE-WIRE EDISON CONNECTIONS
(TWO ELEMENT)**



**THREE-PHASE, THREE-WIRE CONNECTIONS
(TWO ELEMENT)**



**THREE-PHASE, FOUR-WIRE CONNECTIONS
(THREE ELEMENT)**



Dwg# 0902-01016-B Rev-D