



AC VOLTAGE TRANSDUCER

MODEL VT

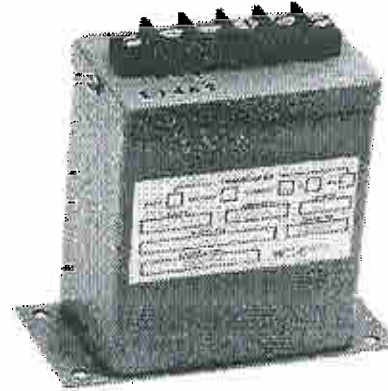
FEATURES

- Accurate, reliable voltage measurement over a wide frequency range.
- Input/Output Isolation.

APPLICATIONS

- Designed for use in OEM applications where inexpensive voltage measurement is required.
- Line Voltage Monitoring.

LOW COST AC VOLTAGE TRANSDUCER



INPUT VOLTAGE	OPTIONAL OUTPUTS MODEL NUMBER VT-				
AC VOLTAGE	0-1mA*	4-20mA	4-20mA**	0-10Vdc*	0-5Vdc*
0 to 90	090A	090E	090E2	090C	090CX5
0 to 150	120A	120E	120E2	120C	120CX5
0 to 300	240A	240E	240E2	240C	240CX5
0 to 600	3940A	3940E	3940E2	3940C	3940CX5

*Models are self-powered from measured voltage line.

**4-20mA loop-powered models, (15-40Vdc).

Std 4-20mA models require 85-135VAC instrument power. Optional 220VAC instrument power - Add suffix "-22".

Transducer output is derived from the average absolute value of the input and calibrated as the RMS value of a sine wave input.

ORDERING INFORMATION

Example: Single-phase 120VAC input with 4-20mA output.
VT-120E

INPUT

VOLTAGE See table
 FREQUENCY RANGE 50 to 400 Hz
 BURDEN 90V, 150V: 1VA
 300V: 2VA
 600V: 3VA

OVERLOAD Full Scale Rating
 DIELECTRIC TEST (Input/Output/Case) 1500VAC

OUTPUT
 OUTPUT RIPPLE Less than 1.0%FS
 RESPONSE 400 milliSeconds

SPECIFICATIONS

OUTPUT LOADING (OHMS) 0-1mA: 0-10K
 0 - 5V, 0 - 10V: ≥ 10M
 4 - 20mA(E): 0 - 1500
 4 - 20mA(E2): 0 - 1400

FIELD ADJUSTABLE CAL ± 5%
 ACCURACY ± 0.25% FS @ 60Hz
 ± 0.5% FS Typical Over Frequency Range
 Includes effects of setpoint and linearity (10%-100%)
 TEMPERATURE EFFECT (-20°C to 60°C) ± 1.0% Rdg
 INSTRUMENT POWER 85-135Vac, 50/400Hz, 3.5VA
 -22 option: 195 - 265Vac, 50/400Hz, 3.5VA

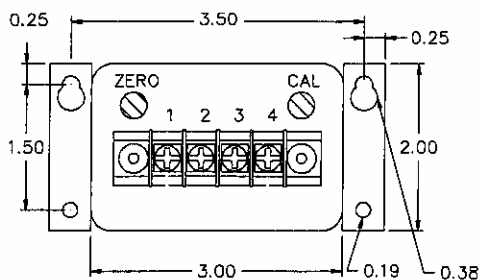
OHIO SEMITRONICS, INC.

4242 REYNOLDS DRIVE HILLIARD, OHIO 43026-1264
 Phone: (614) 777-1005 FAX: (614) 777-4511
TO PLACE AN ORDER: 1-800-537-6732



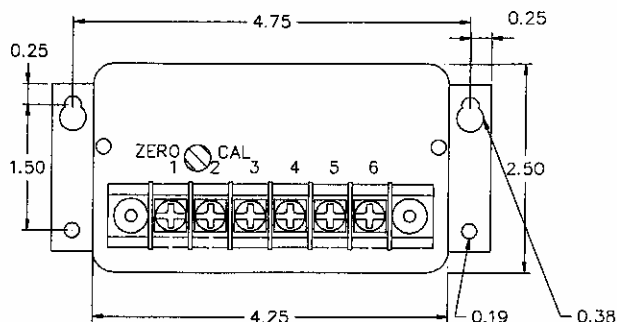
CASE DIMENSIONS

MODELS WITH A, C, CX5 & E2 OPTION



DIMENSIONS IN INCHES
CASE HEIGHT 4.5"
WEIGHT 0.8 LBS.

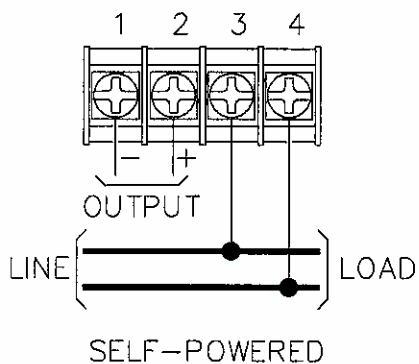
MODELS WITH E OPTION



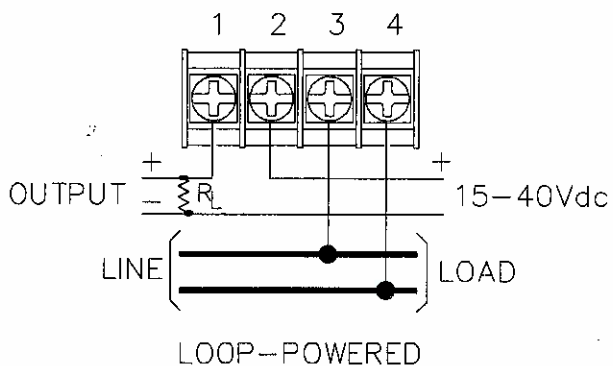
DIMENSIONS IN INCHES
CASE HEIGHT 4.5"
WEIGHT 1.5 LBS.

CONNECTION DIAGRAMS

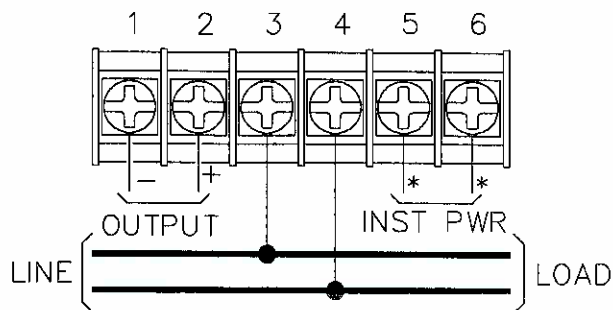
MODELS WITH A, C AND CX5 OPTIONS



MODELS WITH E2 OPTION



MODELS WITH E OPTION



* AC INSTRUMENT POWER

OHIO SEMITRONICS, INC.

4242 REYNOLDS DRIVE HILLIARD, OHIO 43026-1264
Phone: (614) 777-1005 FAX: (614) 777-4511
TO PLACE AN ORDER: 1-800-537-6732