

VOLTS, AMPS, WATTS, WATTHOURS, POWER FACTOR & VA

DESCRIPTION

The PTB board-level system monitor is designed to measure and provide analog output signals for all parameters of voltage, current, and total power in an electrical system. Optional outputs are available for power factor, apparent power, and Watthours as plug-in "daughter" boards.

The PTB comes standard with seven analog outputs for voltage, current, and power. As options, 0-10Vdc, 0-1mAdc and 4-20mAdc outputs are available.

The 10.75" x 8.9" x 2.5" circuit board is provided with mounting holes to fit a 10" x 12" NEMA case (option C) or the circuit board can be mounted in the user's cabinet with the stand-offs provided. Input and output terminals are located directly on the circuit board.

The electronic circuitry uses solid-state multipliers, RMS converters, and amplifiers. 115Vac or 230Vac instrument power options are available.

PTM Rack-mount models available - Consult factory



FEATURES

- Small Package
- Less Wiring
- High Accuracy
- Up to 9 Analog Outputs
- Circuit Board Design
- Direct Input to 600Vac
- Low Cost
- Calibrated with CTs

5 YEAR WARRANTY

MODEL SELECTION

PTB - [] [] [] [] [] [] [] []

SYSTEM		VOLTS		AMPS		SENSOR SIZE	OUTPUTS		INST. PWR.		OPTION P	OPTION W	OPTION C
1	1Φ2W	1	0 - 150 Vac	1	0 - 5 Aac	(none)	D	0 - 10Vdc	1	115Vac	Apparent Power & Power Factor	Watthours	NEMA Case
2	3Φ3W	2	0 - 300 Vac	2	0 - 100 Aac	W	B	0 - 1mAdc	2	230Vac			
3	*3Φ4W	3	0 - 600 Vac	3	0 - 200 Aac	W	E	4 - 20mAdc					
4	*1Φ3W			4	0 - 400 Aac	X							

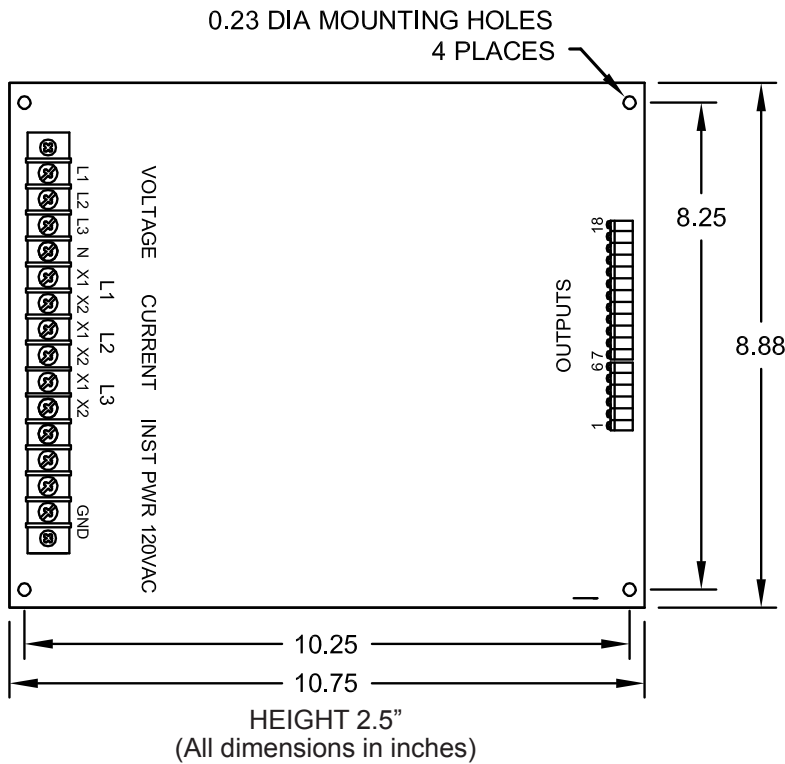
*Specify L-N Voltage

NOTE: External current sensors are included with models having an input current range of 100A and above (PTB-xx2xxx, PTB-xx3xxx, and PTB-xx4xxx models). For details, see dimension and connection diagrams.

ORDERING INFORMATION

Example: 3Φ3W, 2-element system, 0-150Vac & 0-100Aac Inputs, 0-10Vdc & Watthour Outputs, 115Vac instrument power, in NEMA case

PTB-212D1WC



OPTIONAL NEMA CASE

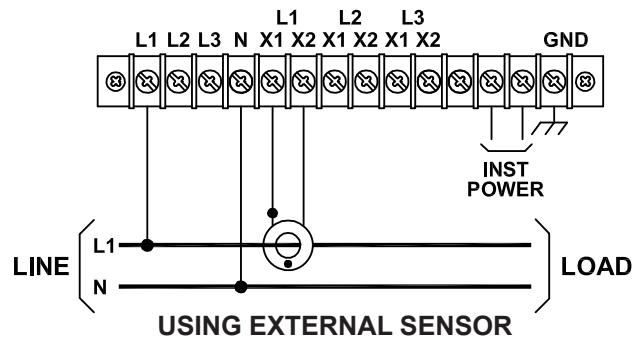
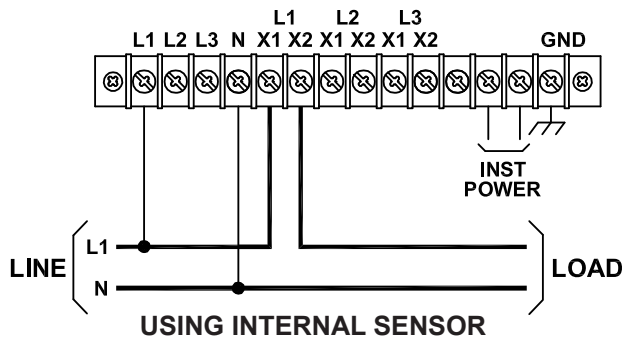
Dimensions..... 12" X 10" X 4"
Mounting.... 12.5" X 8.12", 0.22" Dia. Holes
Weight 3.0 lbs.

Dwg# 0902-00890-B Rev -- (mod)

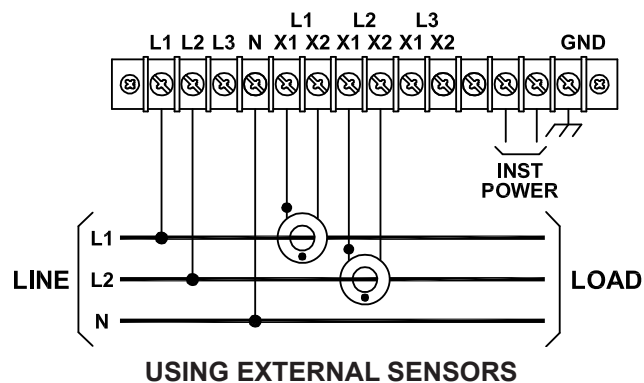
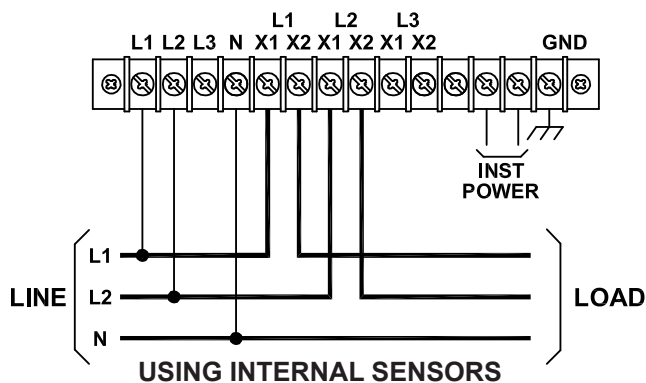
OUTPUT CONNECTIONS

1Φ2W SYSTEM		3Φ3W SYSTEM		3Φ4W SYSTEM		1Φ3W SYSTEM			
1	Watthour Relay	1	Watthour Relay	1	Watthour Relay	1	Watthour Relay		
2		2		2		2			
3	N/A	3	N/A	3	N/A	3	N/A		
4	N/A	4	N/A	4	N/A	4	N/A		
5	Common	5	Common	5	Common	5	Common		
6	Common	6	Common	6	Common	6	Common		
7	Common	7	Common	7	Common	7	Common		
8	Power Factor	8	Power Factor	8	Power Factor	8	Power Factor		
9	Volt-Amperes	9	Volt-Amperes	9	Volt-Amperes	9	Volt-Amperes		
10	Watts	10	Watts	10	Watts	10	Watts		
11	Common	11	Common	11	Common	11	Common		
12	N/A	12	L3	Current	12	L3	Current	12	N/A
13	N/A	13	L2		13	L2		13	L2
14	Current	14	L1		14	L1		14	L1
15	Common	15	Common	15	Common	15	Common	15	Common
16	N/A	16	L1-L2	Voltage	16	L3-N	Voltage	16	N/A
17	N/A	17	L2-L3		17	L2-N		17	L2-N
18	Voltage	18	L3-L1		18	L1-N		18	L1-N

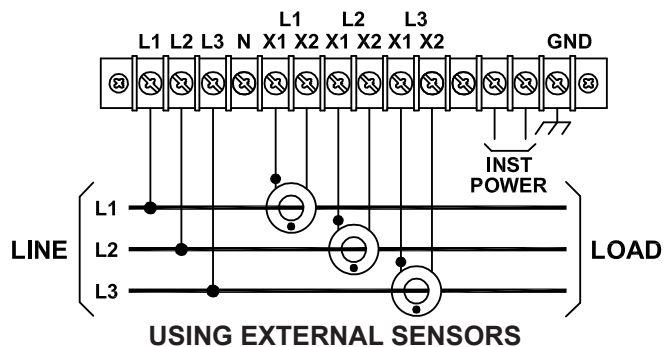
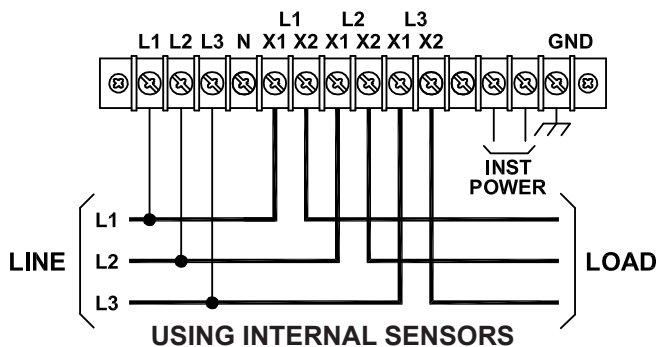
SINGLE-PHASE, TWO-WIRE CONNECTIONS



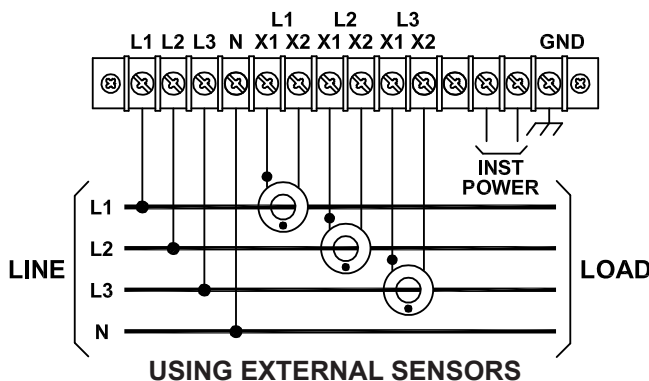
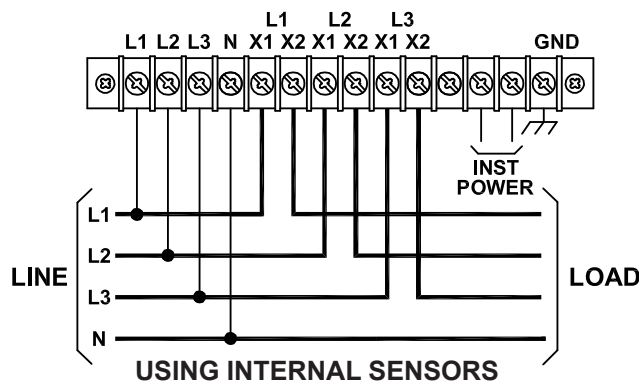
SINGLE-PHASE, THREE-WIRE CONNECTIONS



THREE-PHASE, THREE-WIRE CONNECTIONS



THREE-PHASE, FOUR-WIRE CONNECTIONS



Dwg# 0902-00890-B Rev -- (mod)