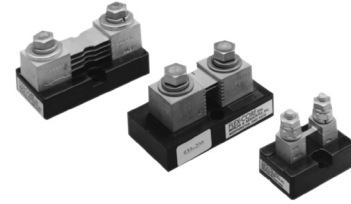


# OSI CURRENT SHUNTS

## FEATURES

- Use with VT7 Shunt Isolators and dc Watt Transducers - MT series.
- Available in 50mV Outputs
- Accuracy ..... ±0.25%



## MODEL SELECTION

50mV Shunts		
Amps	Part No.	Figure
5	17074	A
10	17075	A
20	14128	A
30	14129	A
40	17076	A
50	14130	A
75	17077	A
100	17078	A
150	17079	A
200	17080	B
300	17081	B
400	17082	B
500	17083	B
750	17084	C
1000	17085	C

## DIMENSIONS

Figure A

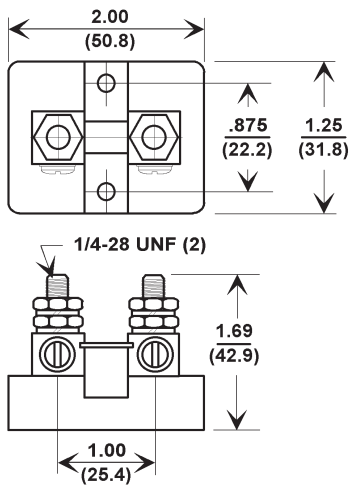


Figure B

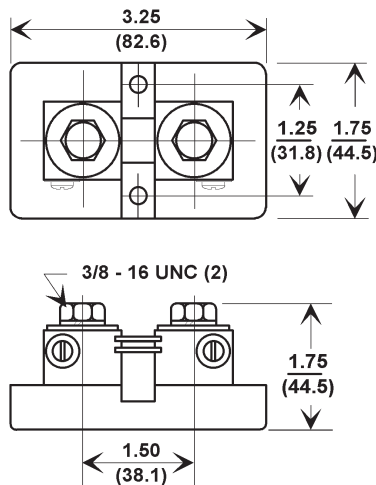


Figure C

