

PRINTED CIRCUIT MOUNT

FEATURES

- High Sensitivity
- Small Size
- Input/Output Isolation
- Low Power Requirements
- Bi-Directional
- Circuit Board Mountable
- Potted
- Flame Retardant UL94V-0



CTU-025R



CTU-050R



CTU-100R

SPECIFICATIONS

INPUT

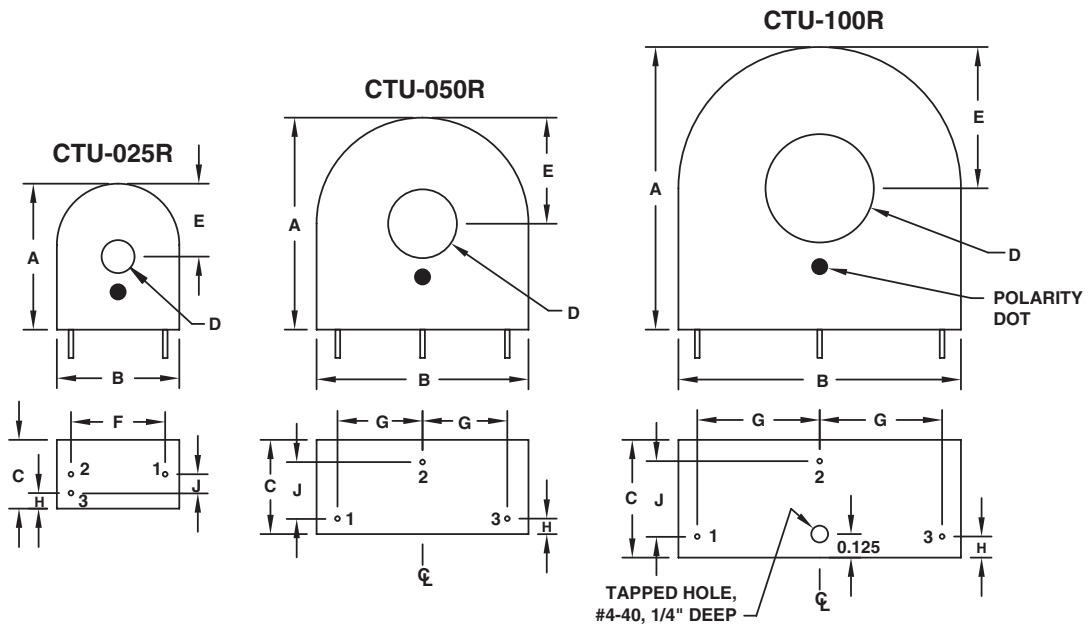
CURRENT	CTU-025R	CTU-050R	CTU-100R
Rated DC/PK AC	25A	50A	100A
Linear Range F.S.	0 - $\pm 35A$	0 - $\pm 60A$	0 - $\pm 120A$
Over Current.....(without damage)	20 X Rating	20 X Rating	20 X Rating
Instrument Power "Vcc"	4.5 Vdc-5.5 Vdc	4.5 Vdc-5.5 Vdc	4.5 Vdc-5.5Vdc
Max Voltage	8 Vdc	8 Vdc	8 Vdc
Max Current	10mAdc	10mAdc	10mAdc
Dielectric Test (Conductor through window/output)	600 Vac	1000 Vac	1000 Vac
Frequency (-1.3db)	dc - 10KHz	dc-10KHz	dc-10KHz

*OUTPUT

Sensitivity @ 5 V "Vcc"	typ. 35mV/A, $\pm 15%$	typ. 35mV/A, $\pm 15%$	typ. 15mV/A, $\pm 15%$
Quiescent Voltage (Vcc/2)	2.5Vdc $\pm 2Vdc$	2.5Vdc $\pm 2Vdc$	2.5Vdc $\pm 2Vdc$
Linearity	$\pm 0.5%$ F.S.	$\pm 0.5%$ F.S.	$\pm 0.5%$ F.S.
Source Current "Max"	1mA	1mA	1mA
Temperature Range	-20°C to +65°C	-20°C to +65°C	-20°C to +65°C
Temperature Effects			
Offset Voltage	typ. $\pm 0.2mV/^\circ C$	typ. $\pm 0.2mV/^\circ C$	typ. $\pm 0.2mV/^\circ C$
Sensitivity	typ. $\pm 0.3mV/^\circ C$	typ. $\pm 0.3mV/^\circ C$	typ. $\pm 0.3mV/^\circ C$
Weight	0.02 Lbs.	0.04 Lbs.	0.08 Lbs.

* The CTU series have ratiometric outputs, which means the output voltage is proportional to the input current magnitude and power supply voltage relative to the midpoint of the power supply voltage.

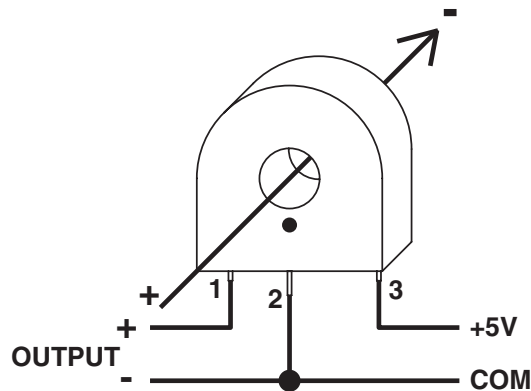
DIMENSIONS



MODEL	A	B	C	D	E	F	G	H	J	PINS Diameter X Length
CTU-025R	0.775	0.650	0.365	0.175	0.387	0.500	NA	0.082	0.100	.0312 X .187
CTU-050R	1.125	1.125	0.500	0.365	0.563	NA	0.450	0.100	0.300	.040 X .156
CTU-100R	1.500	1.500	0.625	0.575	0.750	NA	0.650	0.112	0.400	.040 X .156

All Dimensions in Inches

CONNECTIONS



PIN 1 OUTPUT
PIN 2 COMMON TO BOTH
PIN 3 +5V INSTRUMENT POWER