

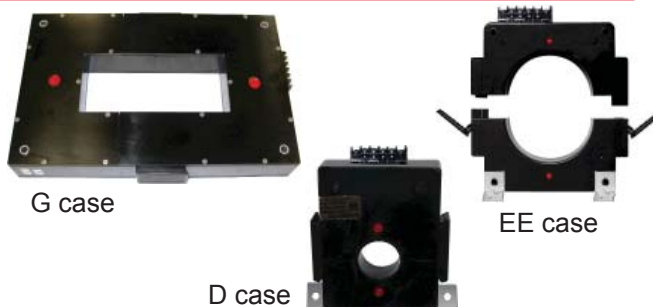
OSI HALL-EFFECT DC CURRENT TRANSDUCER MODEL CTLC-

DESCRIPTION

The CTLC series current transducers are Hall-effect current sensors with signal conditioning and an output amplifier in a single compact package. All models are supplied in a split-core configuration for ease of installation.

Hall-effect current measurement is a non-contact technique that measures the magnetizing effects of current flowing in a conductor.

Advantages of this technique include high electrical isolation between the measured conductor and transducer output, high over-range capability and fast response to input changes.



FEATURES

5 YEAR WARRANTY



- Accuracy = $\pm 0.5\%$ F.S.
- Sensor, signal conditioning and amplifier in one package
- Output is proportional in direction and magnitude to current flow through the window. (4-20mA output is unidirectional)
- Split-core configuration
- Replaces shunts. No insertion loss.

ORDERING INFORMATION

Example: Split-core current transducer with 0-400Adc Input, 4-20mA Output, D size, 24Vdc instrument power and extended temperature range

CTLC-401LST

Power supply available by using the PS-4753-5 or -6.

MODEL SELECTION

DC Current Input	MODEL CTLC-			Size
	4-20mA Output	± 5 Vdc Output	± 10 Vdc Output	
0-100A	101LS	101LSX5	101LDS	D
0-200A	201LS	201LSX5	201LDS	D
0-300A	301LS	301LSX5	301LDS	D
0-400A	401LS	401LSX5	401LDS	D
0-400A	401EELS	401EESX5	401EESD	EE
0-500A	501EELS	501EESX5	501EESD	EE
0-600A	601EELS	601EESX5	601EESD	EE
0-800A	801EELS	801EESX5	801EESD	EE
0-1000A	102EELS	102EESX5	102EESD	EE
0-1200A	122EELS	122EESX5	122EESD	EE
0-1500A	152EELS	152EESX5	152EESD	EE
0-2000A	202LS	202SX5	202SD	G
0-2500A	252LS	252SX5	252SD	G
0-3000A	302LS	302SX5	302SD	G

SPECIFICATIONS

INPUT

Current See Table
Over-current without damage 10 X rating

OUTPUT

Load 4-20mA models 0-500 Ω
5 and 10V models $\geq 2k\Omega$
Response Time (to 90%) 500 μ s, typical

INSTRUMENT POWER

Voltage 24Vdc, $\pm 10\%$
Current 25mA + output current

DIELECTRIC TEST

Bare Conductor thru Window to Output 3750Vac

ACCURACY and LINEARITY $\pm 0.5\%$ F.S.

TEMPERATURE and ENVIRONMENTAL

Operating Range 0 to +40 $^{\circ}$ C
Extended Range (add suffix "T") -40 $^{\circ}$ to +60 $^{\circ}$ C
Temperature Effect $\pm 0.025\%$ / $^{\circ}$ C
Humidity 0-95%, non-condensing

PHYSICAL

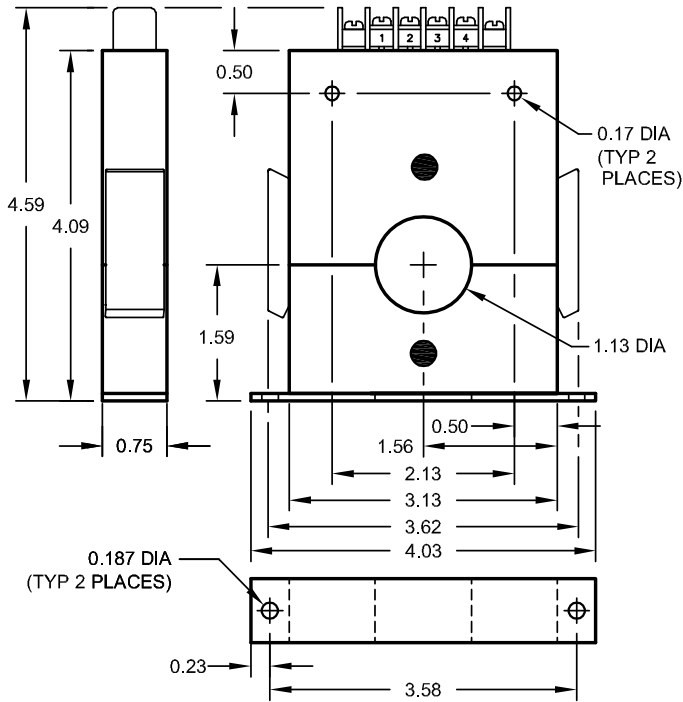
Weight D size ≤ 0.75 lb., EE size ≤ 4.5 lb.
Connections 6-32 screw terminals

OHIO SEMITRONICS, INC. 4242 REYNOLDS DRIVE * HILLIARD, OHIO * 43026-1264
PHONE: (614) 777-1005 * FAX: (614) 777-4511
WWW.OHIOSEMITRONICS.COM * 1-800-537-6732

OSI CASE DIMENSIONS AND CONNECTIONS MODEL CTLC-

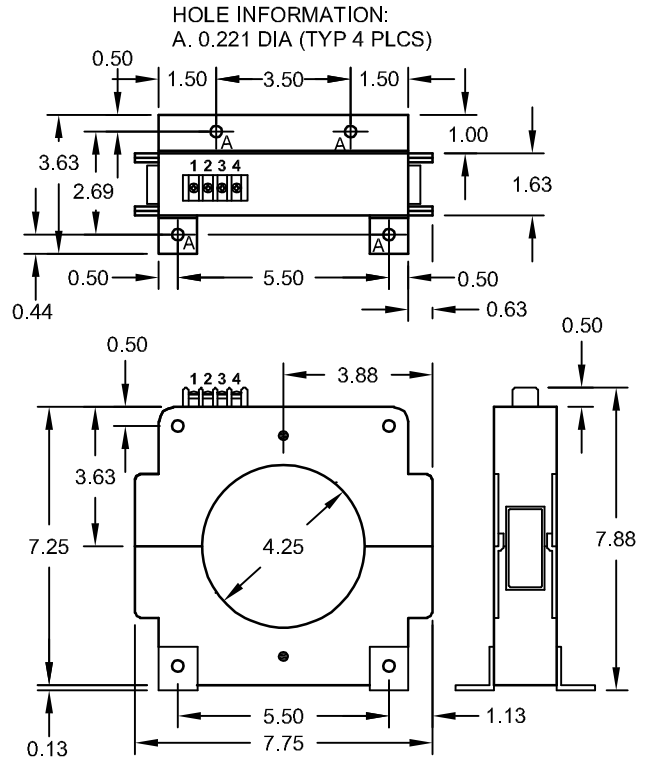
ALL DIMENSIONS ARE IN INCHES. TOLERANCE IS ± 0.030 " UNLESS OTHERWISE NOTED.

CASE DIMENSIONS D



Dwg.# 0902-00948-B Rev A

CASE DIMENSIONS EE

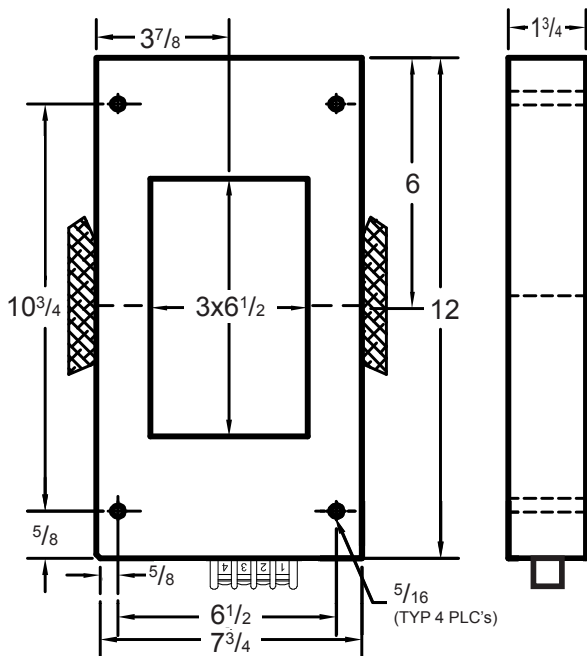


Dwg.# 0902-00955-B Rev D

MOUNTING INSTRUCTIONS

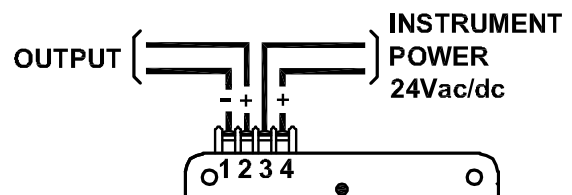
Unit must be installed in a vertical position as shown. The conductors through the window and the wires attached to the terminal strips must not apply any stress to the latches in any direction.

CASE DIMENSIONS G



Dwg.# 0902-00438-B Rev A (mod.) & Dwg.# 0902-00600-B Rev A (mod.)

CONNECTIONS



TERMINAL IDENTIFICATION	
Terminal 1 (-)	Output
Terminal 2 (+)	
Terminal 3 (-)	Instrument Power
Terminal 4 (+)	

"Red dot" side of CTL must face positive supply.
Power supply available by using the PS-4753-5 or -6.