

# OSI SPLIT-CORE CURRENT TRANSFORMERS

MODEL CTI-

## FEATURES

- Low Current Ranges
- Easy Installation (Split-Core)

**5 YEAR WARRANTY**



## APPLICATIONS

- Current Measurement
- Power Measurement

## MODEL SELECTION

CURRENT RATIO	MODEL	BURDEN	ACCURACY* (F.S.)
100:5A	CTI-100	0.5VA	±3%
150:5A	CTI-150	0.5VA	±2%
200:5A	CTI-200	1.0VA	±1%
250:5A	CTI-250	2.0VA	±1%
300:5A	CTI-300	2.0VA	±1%
400:5A	CTI-400	2.5VA	±1%

## ORDERING INFORMATION

Example:  
100A Input with 5A Output  
**CTI-100**

\*Note: Can be calibrated with OSI transducers for better accuracy

## SPECIFICATIONS

### INPUT

Current Range ..... See Table  
Frequency ..... 60Hz

### TEMPERATURE

Continuous Thermal Current Rating Factor  
At 30°C Ambient ..... 1.33  
At 55°C Ambient ..... 1.0

### DIELECTRIC RATING

Rated for installation on 600Vac lines.

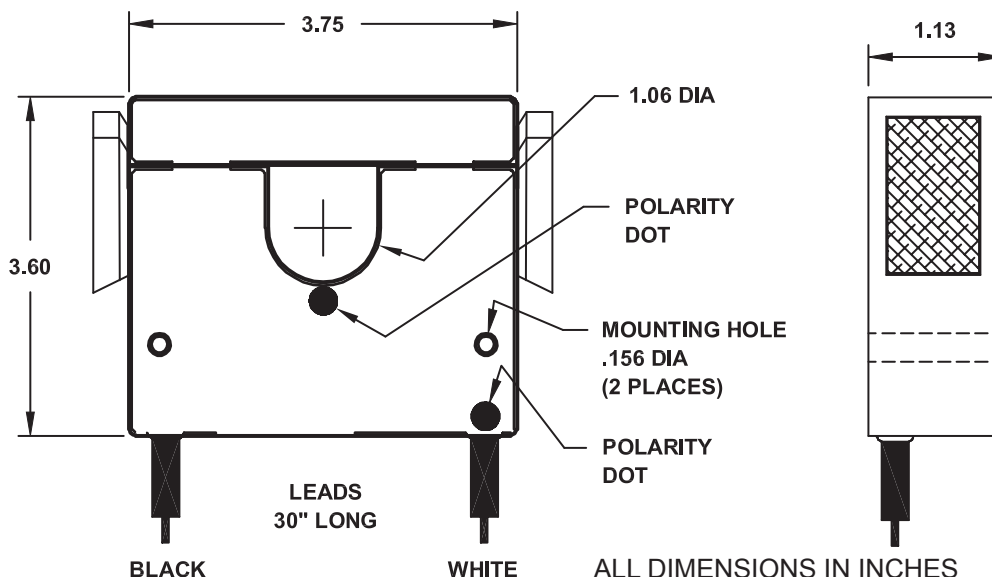
### PHYSICAL

Case Material ..... Noryl SE1X, Black  
Termination ..... 14AWG Wire, 30in.  
Weight ..... 1lb

### OUTPUT

Type ..... 0-5Aac

## SENSOR DIMENSIONS



NOTE: For positive output on white cable, insert positive current cable through the "polarity dot" side of the sensor.

BLACK

WHITE

ALL DIMENSIONS IN INCHES

Dwg# 0902-00428-B Rev A

**OHIO SEMITRONICS, INC.**

4242 REYNOLDS DRIVE \* HILLIARD, OHIO \* 43026-1264  
PHONE: (614) 777-1005 \* FAX: (614) 777-4511  
WWW.OHIOSEMITRONICS.COM \* 1-800-537-6732