

## RANGES UP TO 20Aac CURRENT INPUT

### FEATURES

- Programmable set-point relay setting for input current, threshold levels, over- and under-current operation.
- Internal DIP-switches may be set for current ranges of either 0-5, 0-10, 0-15, or 0-20 Amperes, and the relay mode for under- or over-current operation.
- Lid-mounted two-digit numerical push-button switch calibrated as percent of full scale with a threshold range of 1-99%.

- Red LED lamp lights to indicate when the threshold level has been obtained.

**5 YEAR WARRANTY**



INPUT RANGE (AMPS)	INTERNAL SWITCH POSITIONS							
	1	2	3	4	5	6	7	8
	UNDER CURRENT*							
5	ON	ON						ON
10	ON	ON						ON
15	ON	ON				ON		
20	ON	ON			ON			ON
	OVER CURRENT**							
5			ON	ON				ON
10			ON	ON				ON
15			ON	ON		ON		
20			ON	ON	ON			ON

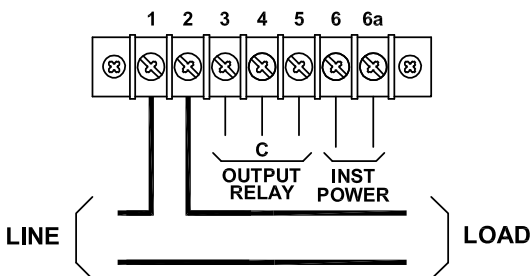
OUTPUT TERMINAL CONNECTIONS & LED OPERATION								
MODE OF OPERATION	UNDER RANGE*				OVER RANGE**			
	3	4	5	LED	3	4	5	LED
INST. POWER OFF	N/C	Com	N/O	OFF	N/C	Com	N/O	OFF
INST. POWER ON	N/C	Com	N/O	ON	N/O	Com	N/C	OFF
INST. PWR. ON, CURRENT BELOW SET POINT	N/C	Com	N/O	ON	N/O	Com	N/C	OFF
INST. PWR. ON, CURRENT ABOVE SET POINT	N/O	Com	N/C	OFF	N/C	Com	N/O	ON

Highlighted area indicates Factory Setting. Unit is shipped from the factory with a 0-5 Amp input and in an over-current relay mode. The set point relay can be set to provide any one of the four current ranges and modes of operation.

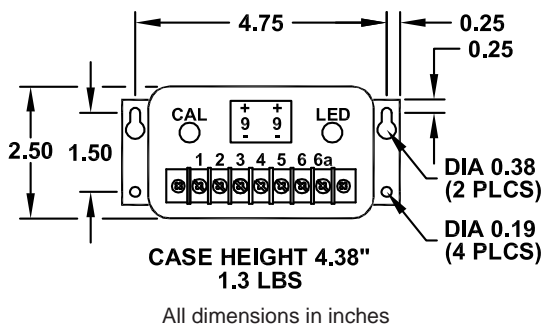
\* The output relay will energize when instrument power is applied and the current is above the set point threshold. It will remain in a "Fail Safe" mode until either the input current drops below the set point threshold or instrument power is removed.

\*\* The output relay will energize when instrument power is applied and will remain in a "Fail Safe" mode until either the instrument power is removed or the input current exceeds the set point threshold level.

### CONNECTION DIAGRAM



### CASE DIMENSIONS



### SPECIFICATIONS

#### INPUT

- Current Ranges..... (Selectable)
- Operation.....5A Range.....80mA to 5A
- 10A Range.....160mA to 10A
- 15A Range.....200mA to 15A
- 20A Range.....220mA to 20A
- Burden (Any Range) .....0.5VA, max.
- Over-current (Any Range)
  - Continuous .....25Aac
  - Transient .....50Aac (10s/Hr)
  - Transient .....250Aac (1s/Hr)
- Frequency ..... 50-425Hz, 60Hz Nom.

#### DIELECTRIC TEST

Input/Output/Instrument Power/Case..... 1500Vac

INSTRUMENT POWER .....85-135Vac, 50-400Hz, 2.5VA

#### OUTPUT

- Relay..... Form C, SPDT
- Rating.....120Vac, 3A
- Mechanical Operations.....1 Million
- Response Time to 90%...5A Range..... 200ms
- 10A Range..... 250ms
- 15A Range..... 350ms
- 20A Range..... 550ms

#### ACCURACY

- Setpoint.....±2 digits
- Resolution.....±1 digit
- Hysteresis .....±1 digit

#### TEMPERATURE

Effect (-10°C to +60°C)..... ±0.1%/°C, ±0.1% F.S.