

OSI SOLID-CORE CURRENT TRANSFORMERS MODEL BCT-

FEATURES

- 0.5% Accuracy
- Solid-core
- AC Output 26.6mA

LOW COST

18 MONTH WARRANTY



APPLICATIONS

- For use with ESP3 series Watt transducers
- Other metering applications

MODEL SELECTION

INPUT AC AMPS	STANDARD OUTPUT MODEL BCT-	SENSOR SIZE
	0-26.6mAac	
0 - 200	013-200	A
0 - 200	015-200	B
0 - 200	025-200	C
0 - 400	025-400	C
0 - 600	045-600	D

ORDERING INFORMATION
 Example: 200Aac Input, with a 26.6mAac Output. Sensor size B
BCT-025-200

Optional inputs and outputs are available, consult factory.

Intended for use over insulated conductors only!

SPECIFICATIONS

INPUT

- Current See Table
- Over-current 1.2 X F.S.
- Frequency Range 50-60Hz

ACCURACY ±0.5% F.S.

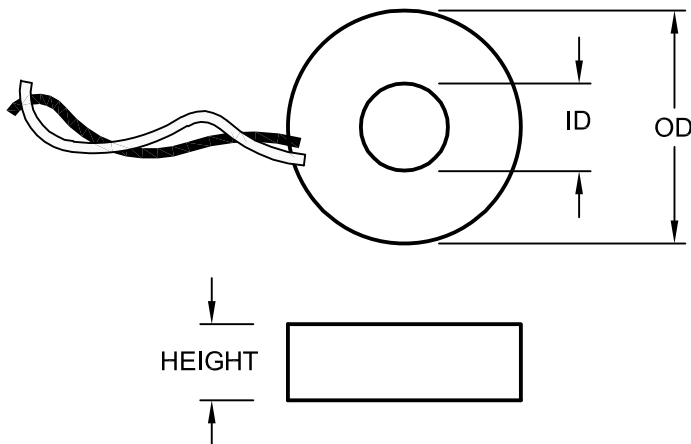
PHYSICAL & ENVIRONMENTAL

- Weight See Below
- Lead Length 72"
- Lead Type 22AWG stranded, White (X1) & Black
- Operating Temperature 55°C Max.

OUTPUT

- Scaling 0-F.S. Input = 0-26.6mAac Output
- Burden 1VA

SENSOR DIMENSIONS



SENSOR SIZE	DIMENSIONS (inches)			WT. (lbs.)
	HEIGHT	ID	OD	
A	0.80	0.51	1.73	0.2
B	0.80	0.59	2.43	0.3
C	0.79	0.98	2.13	0.3
D	0.95	1.77	3.50	0.6

Dwg# 0902-00906-B Rev A