

ACCURATE TO 0.2% OF READING

FEATURES

- Accurate regardless of variations in voltage, current, power factor, or load.
- Available with 1-, 2-, 2½-, or 3-element configurations.
- Provides bidirectional operation.
- Accuracy maintained over wide temperature range, calibration traceable to NIST.

5 YEAR WARRANTY



APPLICATIONS

- Equipment monitoring for process control.
- Integration into energy management systems, or a variety of sub-metering applications.
- Measurement using direct-connection, current and/or potential transformers.

Energy Management Equipment Accessory 87X9



INPUTS		F.S. WATTS	PHASE	NO. OF ELEMENTS	STANDARD OUTPUTS MODEL AGW-		
AC VOLTS	AC AMPS				0-±1mAdc	0-±10Vdc	4-20mAdc
0 - 150	0 - 5	500	1Ph - 2W	1	001B	001D	001E
0 - 300	0 - 5	1000	1Ph - 2W	1	002B	002D	002E
0 - 600	0 - 5	2000	1Ph - 2W	1	003B	003D	003E
0 - 150	0 - 5	1000	3Ph - 3W	2	004B	004D	004E
0 - 300	0 - 5	2000	3Ph - 3W	2	005B	005D	005E
0 - 600	0 - 5	4000	3Ph - 3W	2	006B	006D	006E
0 - 150 L-N	0 - 5	1500	3Ph - 4W	3	007B	007D	007E
0 - 300 L-N	0 - 5	3000	3Ph - 4W	3	008B	008D	008E
0 - 150 L-N	0 - 5	1500	3Ph - 4W	2½	007.5B	007.5D	007.5E
0 - 300 L-N	0 - 5	3000	3Ph - 4W	2½	008.5B	008.5D	008.5E

To calculate full-scale Watts when using potential and/or current transformers:

a = initial transducer calibration (from table above in F.S. WATTS column)

b = current transformer ratio (e.g. 100:5, or 20)

c = potential transformer ratio (e.g. 600:120, or 5)

F.S. WATTS = a x b x c

NOTE: UL-recognized current transformers available from factory.

SPECIFICATIONS

INPUT

Voltage See Table
 Current 0-5Aac
 Frequency Range 58-62Hz
 Power Factor Any
 Burden
 Voltage <0.1VA
 Current <0.25VA
 Overload Voltage (continuous)
 150Vac Range 175Vac
 300Vac Range 350Vac
 600Vac Range 600Vac
 Overload Current (continuous) 2XF.S.
 50Aac transient (10s/hr)
 250Aac transient (1s/hr)

DIELECTRIC TEST

Input/Output/Case (150V & 300V) 1800Vac (600V) 2200Vac
 Surge Withstands IEEE SWC test

OUTPUT

Loading
 "B" models(0-±1mAdc output) 0-10kΩ
 "D" models(0-±10Vdc output) 2kΩ min.
 "E" models(4-20mAdc output) 0-500Ω
 Response Time (to 99%) <400ms
 Field Adjustable Cal. ±2% min.

ACCURACY

(Includes combined effects of voltage, current, load & power factor.)

All models ±0.2% Rdg./PF, ±0.04% F.S.
 Output Ripple Less than 0.5% F.S.

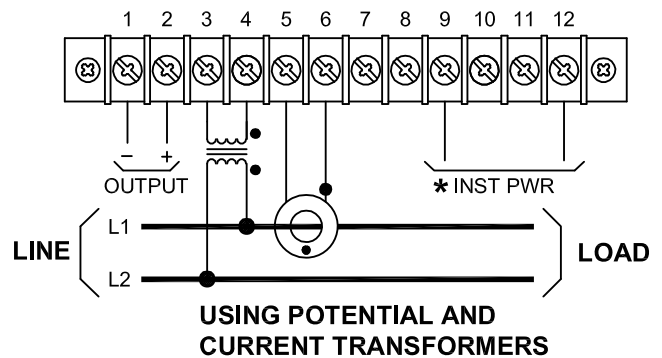
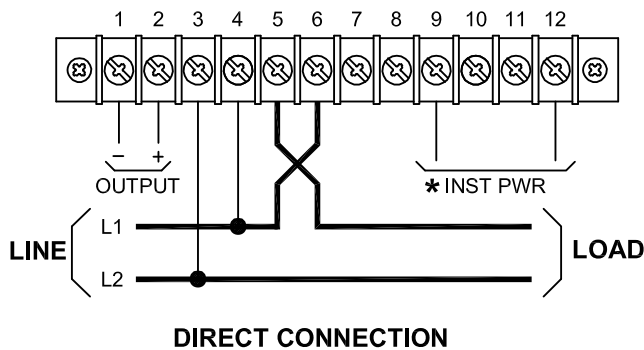
TEMPERATURE & PHYSICAL

Temperature Effect (-20°C to 60°C) ±0.005%/°C
 Operating Humidity 0-95% non-condensing
 Net Weight 3.3 lbs.

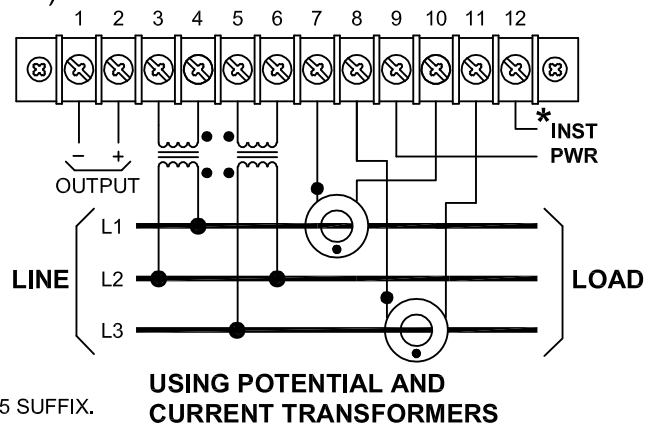
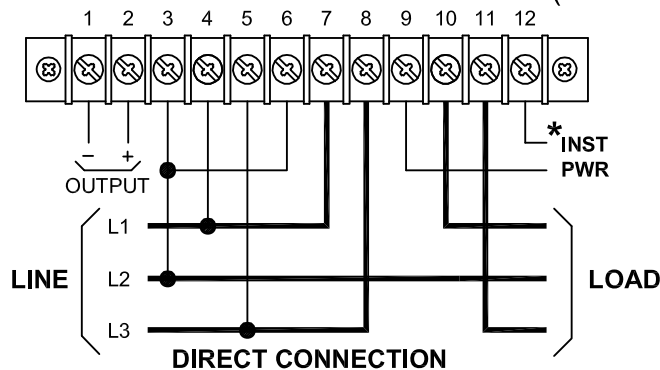
INSTRUMENT POWER

Standard 85-135Vac, 60Hz, 7VA

**SINGLE-PHASE CONNECTIONS
(1 ELEMENT)**



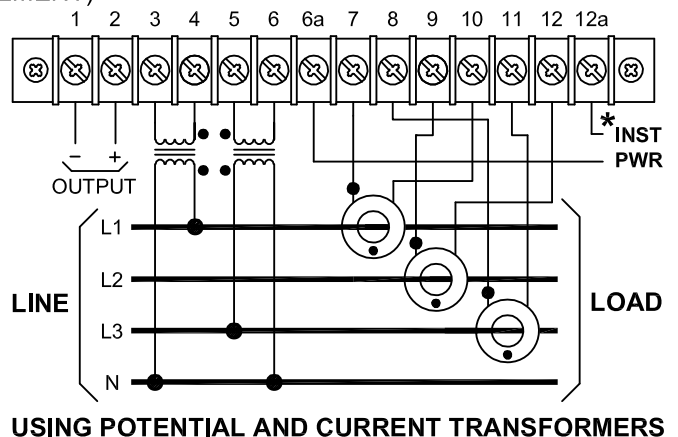
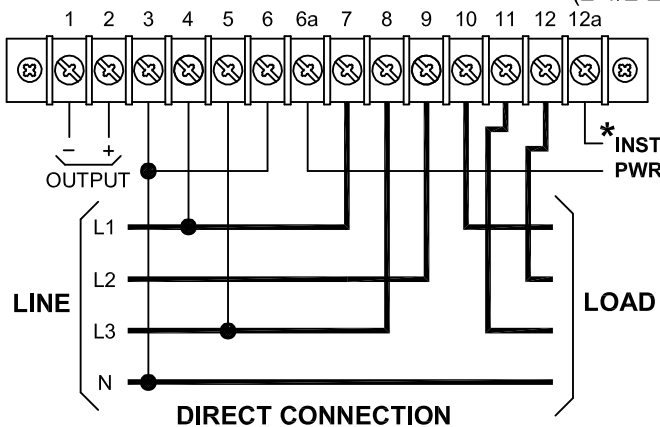
**THREE-PHASE, THREE-WIRE CONNECTIONS
(2 ELEMENT)**



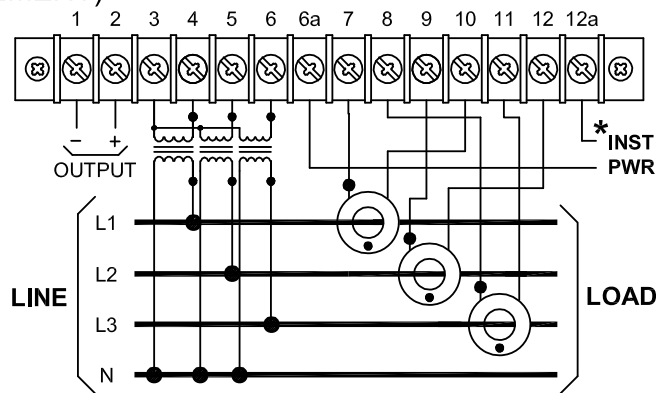
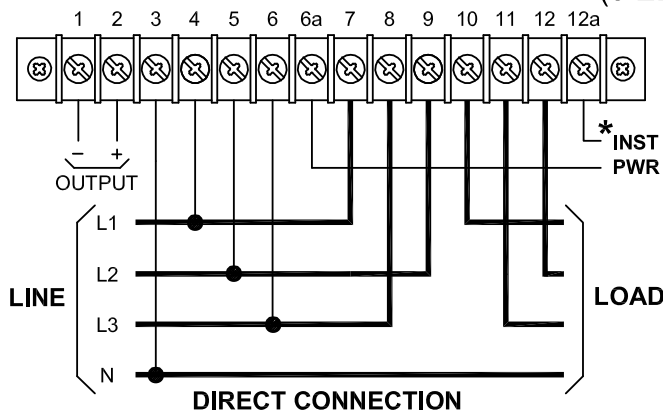
- * 115Vac ON MODELS WITH B, D, E, EM OR X5 SUFFIX.
- * 230Vac ON MODELS WITH -22 SUFFIX.
- * NOT REQUIRED ON MODELS WITH A, C, CX5, EG OR EMG SUFFIX.

Dwg# 0902-00873-B Rev A

**THREE-PHASE, FOUR-WIRE CONNECTIONS
(2-1/2 ELEMENT)**



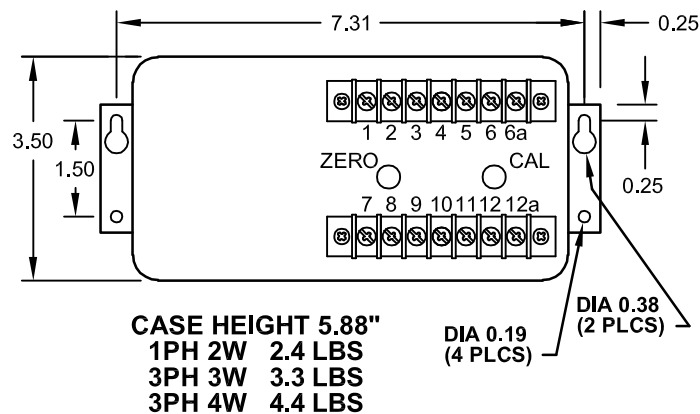
**THREE-PHASE, FOUR-WIRE CONNECTIONS
(3 ELEMENT)**



- * 115Vac ON MODELS WITH B, D, E, EM OR X5 SUFFIX.
- * 230Vac ON MODELS WITH -22 SUFFIX.
- * NOT REQUIRED ON MODELS WITH A, C, CX5, EG OR EMG SUFFIX.

Dwg# 0902-00873-B Rev A

CASE DIMENSIONS



CASE HEIGHT 5.88"
1PH 2W 2.4 LBS
3PH 3W 3.3 LBS
3PH 4W 4.4 LBS

ALL DIMENSIONS IN INCHES.

Dwg# 0902-00873-B Rev A