

OSI SINGLE-PHASE AC RMS CURRENT TRANSDUCER MODEL ACTR-

FEATURES

- Accurate measurement of the **true RMS** value of input signals over a wide frequency range.
- Input/output isolation.

ACCURATE TO 0.25% FULL-SCALE

APPLICATIONS

- For use in applications where measurement of non-sinusoidal waveforms is required.
- Designed to withstand motor start-up transients.



5 YEAR WARRANTY



MODEL SELECTION

INPUT AMPS AC	STANDARD OUTPUTS MODEL ACTR-			
	0-1mA dc	4-20mA dc	0-10V dc	0-5V dc
0 - 1	001B	001E	001D	001X5
0 - 5	005B	005E	005D	005X5
0 - 10	010B	010E	010D	010X5
0 - 15	015B	015E	015D	015X5
0 - 20	020B	020E	020D	020X5

All standard units require 115Vac instrument power.
Optional 230Vac instrument power - Add suffix "-22".

ORDERING INFORMATION

Example: 15Aac Input with 0-10Vdc Output.
ACTR-015D

SPECIFICATIONS

INPUT

Current See Table
Frequency Range 48-420Hz
Burden 0.28VA F.S.
Current Overload (w/o damage)
1-10A Range 2 X Rating (continuous)
15-20A Range 25A maximum (continuous)
10 X Rating for one-second transient 10s/hr

DIELECTRIC TEST

Input/Output/Case 2200Vac

INSTRUMENT POWER

Standard 115V, ±15%, 50/60Hz, 3.5VA
"-22" Option 230V, ±15%, 50/60Hz, 3.5VA

OUTPUT

Type See Table
Loading **B** models 0-10kΩ
D & X5 models 2kΩ, min.
E models 0-500Ω
Response Time (to 90% F.S.) 100ms
Field-adjustable Calibration ±10%

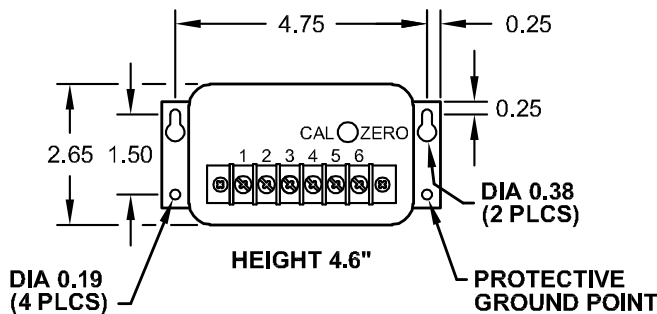
ACCURACY (Includes Effects of Linearity and Set Point)

At 60Hz ±0.25% F.S.
(±0.5% typical over frequency range)
Output Ripple <1.0% F.S.

TEMPERATURE & PHYSICAL

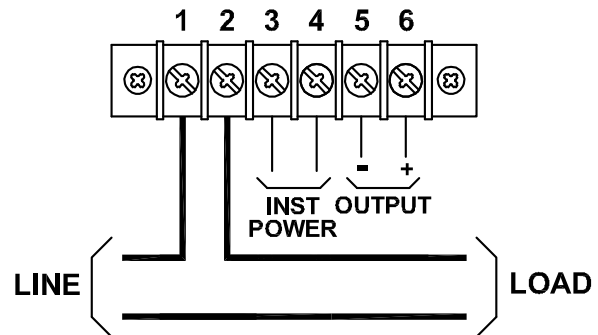
Operating Range -20 to 60°C
Effect ±1.0% Rdg.
Net Weight 1.5 Lbs.

CASE DIMENSIONS



ALL DIMENSIONS ARE IN INCHES.

CONNECTION DIAGRAM



Dwg# 0902-00919-B Rev A

OHIO SEMITRONICS, INC.

4242 REYNOLDS DRIVE * HILLIARD, OHIO * 43026-1264
PHONE: (614) 777-1005 * FAX: (614) 777-4511
WWW.OHIOSEMITRONICS.COM * 1-800-537-6732

INSTALLATION INSTRUCTIONS

1. Installation should be performed by qualified electricians only!
2. Verify that electrical service is disconnected before making any electrical connections.
3. Branch circuit protection is required to be provided in accordance with the National and Local codes of the inspection authority.
4. Route wires as required and secure to terminals per connection diagram on this sheet and on the unit.
5. Attach the Protective Ground Point (⊕) to earth ground by mounting to a grounded enclosure or by attaching a ground wire. Paint barrier on can must be broken by using an internal-tooth lock-washer or similar device.

OPERATING INSTRUCTIONS

1. This unit is intended for indoor use at altitudes up to 2000 meters.
2. Transient overvoltages according to Installation Category (overvoltage category) II, pollution Degree 2.
3. The output signal is intended to be "Not accessible to the user." To prevent contact with live circuits, the transducer is required to be mounted in an enclosure that requires the use of a tool for access.
4. If cleaning of the exterior surface is necessary, de-energize all services of supply (both measuring and instrument power circuits) and brush with a soft brush or blow off with low-pressure air. Use appropriate eye protection. Not suitable for hose-down cleaning.
5. Maximum relative humidity 80 percent for temperatures up to 31°C decreasing linearly to 50 percent relative humidity at 40°C.
6. Maximum operating temperature range is -20°C to 60°C.

WARRANTY STATEMENT

Ohio Semitronics Inc. warrants this unit to be free of defects in material and workmanship for a period of five years from date of shipment. This unit must not be used in any manner other than as specified in this document.