

## LOW COST

### DESCRIPTION

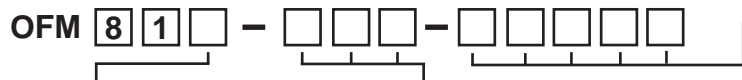
The OFM series panel-mount meters offer a low-cost 3<sup>1</sup>/<sub>2</sub>-digit display with dual-slope integrating A-to-D conversion.

### FEATURES

- Easy mounting with steel bezel
- Full differential input with chopper-stabilized input buffer
- Convenient adjustments for scaling and calibration
- A-to-D Reference High-stability 1.25V band gap
- Optional 24Vdc isolated supply for powering external devices (-221 models)
- Optional customized displayed value at Full-Scale input



## MODEL SELECTION



Optional: Displayed Value at Full-Scale Input (blank = actual value, i.e. 10.00, 19.99 or 5.00)

INSTRUMENT POWER		SIGNAL INPUT	
1	120Vac	221	0-10.00Vdc*
3	220Vac	305	0-19.99Vac
8	10-30Vdc	369	0-5.00Aac**

\* -221 models also include an isolated 24Vdc power supply for powering external devices.

\*\* -369 models include an external CT.

### ORDERING INFORMATION

Example:  
3<sup>1</sup>/<sub>2</sub>-digit display with 10-30Vdc Power Supply and 0-19.99Vac Input  
**OFM818-305**

NOTE: Optional NEMA 4X gasket available.  
Order Q400-0109

## SPECIFICATIONS

### PHYSICAL

Size ..... Fits 1/16 DIN cutouts (see pg 2)  
 Display ..... Bright 0.6" tall, high-efficiency LED  
 Range ..... -1999 to +1999  
 (3.5 digits plus negative sign and decimal point)  
 Display Window.... Non-glare cast acrylic, ruby red filter  
 Bezel ... 16Ga. steel, black powder coat textured finish  
 (Optional NEMA 4X gasket available. Order Q400-0109)

### INPUT

Type ..... Full differential  
 Frequency ..... -221 models ..... dc  
 ..... -305 & -369 models ..... 50/60Hz  
 Impedance .... -221 models ..... 1MΩ  
 ..... -305 models ..... 2MΩ  
 ..... -369 models ..... negligible  
 Over-/Under-range Indication  
 Meter displays polarity, most significant digit and the decimal point when input exceeds min/max input range.  
 Connections ..... Socketed screw terminals

### OUTPUT (Isolated supply for external devices, -221 only)

Type ..... 24Vdc nominal, 20mA max., 1kVdc isolation

### OUTPUT (DISPLAY)

Display Update Rate ..... 2.5 per second  
 Display Scaling  
 Decimal Point Location ..... jumper-selectable,  
 for 0, 0.0, 0.00 or 0.000 precision  
 -221 models .... 20-turn pots for scaling & calibration  
 -305, -369 models ..... Fixed zero,  
 20-turn pot for span adjust.

### INSTRUMENT POWER

811 models ..... 120Vac, 50/60Hz, 25mA max., 3W  
 813 models ..... 220Vac, 50/60Hz, 14mA max., 3W  
 818 models... 10-30Vdc, 110mA max., 750Vdc isolation

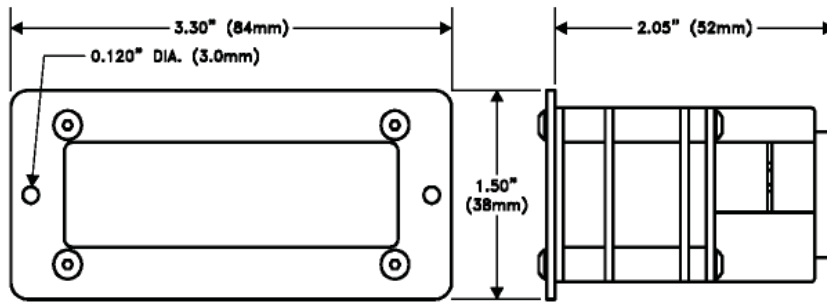
### ACCURACY (function of calibration and scaling)

Linearity ..... <±0.02%, typical

### TEMPERATURE

Operating Range ..... -25°C to 70°C  
 Storage Range ..... -40°C to 85°C  
 Drift .... <0.1% per 20°C change in ambient temperature

**CASE DIMENSIONS**

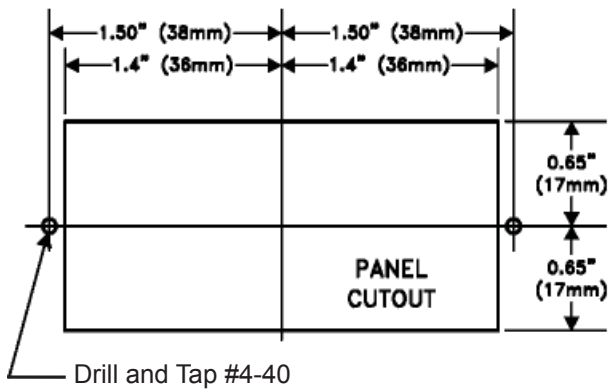


All Models

811 & 813 Models

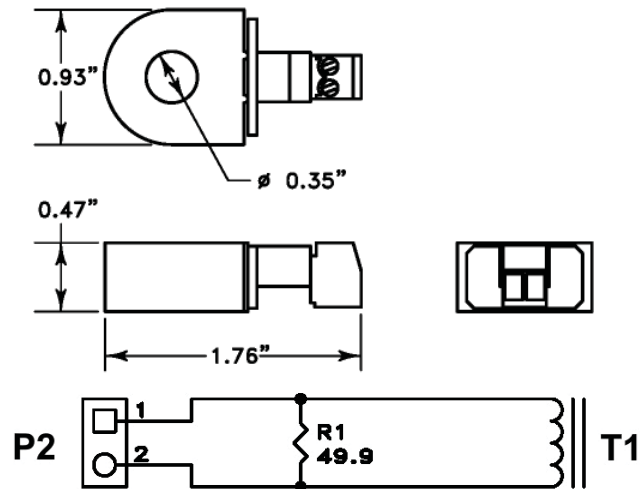
818 Models

**PANEL CUT-OUT (All Models)**

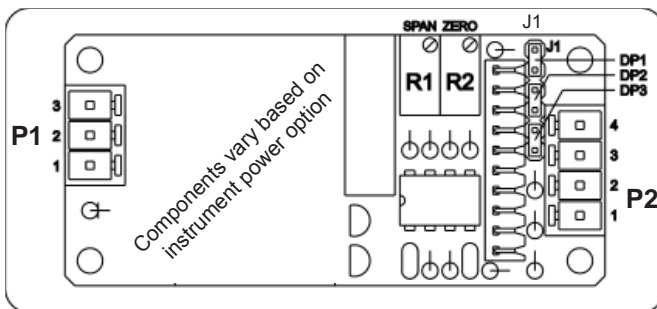


NOTE: Optional NEMA 4X gasket available. Order Q400-0109

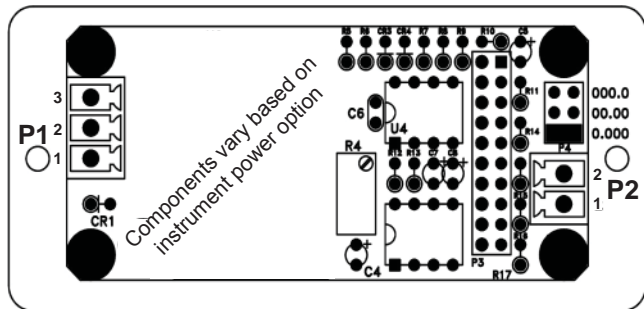
**EXTERNAL CT (-369 models)**



**CONNECTOR LOCATIONS**



Rear View of OFMxxx-221 Meters (DC Input)



OFMxxx-305 or OFMxxx-369 Meters (AC Input)

CONNECTOR	FUNCTION
P1	Instrument Power
P2	Signal Input
J1	Decimal Point Locator
R1	Span Adjustment
R2	Zero Adjustment

CONNECTOR	FUNCTION
P1	Instrument Power
P2	Signal Input
P4	Decimal Point Locator
R4	Span Adjustment

NOTE: Refer to manual (7004-00093-A) for details on set-up and calibration of meter.