

OSI SPLIT-CORE CURRENT TRANSFORMERS

MODEL CTI-

FEATURES

- Low Current Ranges
- Easy Installation (Split-Core)

5 YEAR WARRANTY

APPLICATIONS

- Current Measurement
- Power Measurement



MODEL SELECTION

CURRENT RATIO	MODEL	BURDEN	ACCURACY* (F.S.)
100:5A	CTI-100	0.5VA	±3%
150:5A	CTI-150	0.5VA	±2%
200:5A	CTI-200	1.0VA	±1%
250:5A	CTI-250	2.0VA	±1%
300:5A	CTI-300	2.0VA	±1%
400:5A	CTI-400	2.5VA	±1%

ORDERING INFORMATION

Example:
100A Input with 5A Output
CTI-100

*Note: Can be calibrated with OSI transducers for better accuracy

SPECIFICATIONS

INPUT

Current Range See Table
Frequency 60Hz

TEMPERATURE

Continuous Thermal Current Rating Factor
At 30°C Ambient 1.33
At 55°C Ambient 1.0

DIELECTRIC RATING

Rated for installation on 600Vac lines.

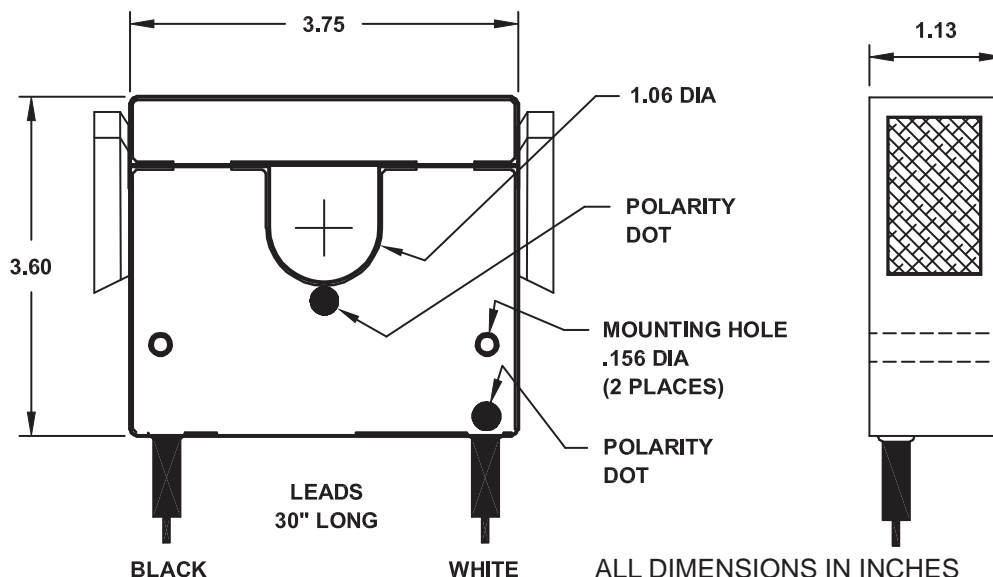
PHYSICAL

Case Material Noryl SE1X, Black
Termination 14AWG Wire, 30in.
Weight 1lb

OUTPUT

Type 0-5Aac

SENSOR DIMENSIONS



NOTE: For positive output on white cable, insert positive current cable through the "polarity dot" side of the sensor.

ALL DIMENSIONS IN INCHES

Dwg# 0902-00428-B Rev A

OHIO SEMITRONICS, INC.

4242 REYNOLDS DRIVE * HILLIARD, OHIO * 43026-1264
PHONE: (614) 777-1005 * FAX: (614) 777-4511
WWW.OHIOSEMITRONICS.COM * 1-800-537-6732