

OSI RMS CURRENT TRANSDUCER

Model **CTCR-mAxxxE2**

NON-CONTACT, LOOP-POWERED, TRUE RMS

DESCRIPTION

The CTCR series of transducers provides a non-contact, loop-powered, method of current measurement. The dc output is directly proportional to the true RMS value of ac window current. Measurement ranges of 5mA to 100mA are available.

FEATURES

- ±0.25% accuracy
- True RMS measurement
- Non-contact
- Loop-powered
- Ease of Installation



5 YEAR WARRANTY



SPECIFICATIONS

INPUT

Current Range See Table
Over-range Continuous w/o damage 20Aac
Frequency Range 25-400Hz

OUTPUT

Type 2-Wire 4-20mAac, loop-powered
Scaling 0-F.S. Input = 4-20mAac Output
Loading 24Vdc loop power 0-500Ω
 15Vdc loop power 0-400Ω
Response to 90% 250ms, Typical
Ripple ≤1.0% F.S. pk-pk

DIELECTRIC TEST

Conductor Through Window to Output 2200Vac

INSTRUMENT POWER

Loop-Power Nominal 24Vdc
 Range 15-35Vdc

ACCURACY (setpoint, linearity, repeatability @ 25°C)

25-400Hz 10-100% F.S. ±0.25% F.S.

TEMPERATURE

Operating Range -20°C to 60°C
Effect ±0.5% F.S.

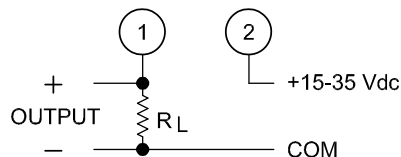
PHYSICAL

Termination No. 6-32 Screw Terminals
Enclosure ABS, Black, UL94V-0
Weight 0.2 lb

MODEL SELECTION

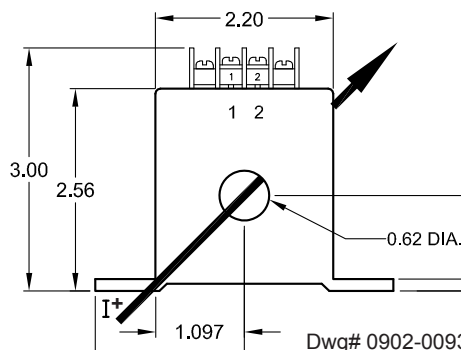
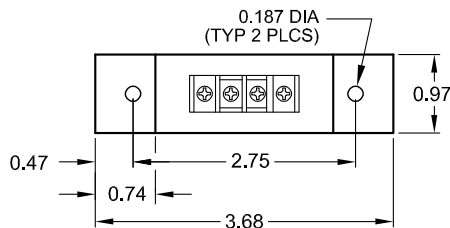
INPUT mAac	STANDARD MODELS: CTCR-mA- (4-20mAac loop-powered)
0-5	005E2
0-10	010E2
0-15	015E2
0-20	020E2
0-25	025E2
0-30	030E2
0-35	035E2
0-40	040E2
0-50	050E2
0-60	060E2
0-100	100E2

CONNECTION DIAGRAM



DIMENSIONS

All dimensions in inches. (Tolerance: ±0.03in.)



OHIO SEMITRONICS, INC.

4242 REYNOLDS DRIVE * HILLIARD, OHIO * 43026-1264
PHONE: (614) 777-1005 * FAX: (614) 777-4511
WWW.OHIOSEMITRONICS.COM * 1-800-537-6732