

DESCRIPTION

The model CTU-XXXXZ is an open-loop Hall-effect current transducer. Hall-effect sensors detect the strength and direction of the magnetic flux created by current flowing in a conductor. Appropriate signal conditioning provides an output proportional to both the amplitude and direction of the measured current.

Ease of installation in either new or retrofit applications is provided by the compact split-core packaging.

MODEL NUMBER**CTU – XXXX Z**

XXXX	INPUT DC Range
0050	±0-50Adc
0100	±0-100Adc
0150	±0-150Adc
0200	±0-200Adc
0300	±0-300Adc
0400	±0-400Adc
0500	±0-500Adc
0600	±0-600Adc
0800	±0-800Adc
1000	±0-1000Adc
1500	±0-1500Adc
2000	±0-2000Adc

Z	Output Type
B	0-±1mAdc
D	0-±10Vdc
X5	0-±5Vdc
E	4-20mAdc
EM	4/12/20mAdc

**SPECIFICATIONS****INPUT**

Current Range See model selection
 Over-range (w/o damage)..... >5kA max.

DIELECTRIC TEST

Input window 2200Vac
 Inst. Power to output 600Vac

INSTRUMENT POWER

Voltage 12Vdc, ±10%
 -24 option 24Vdc, ±10%
 Current ≤50mAdc

TEMPERATURE

Operating range -40°C to +85°C
 Temperature effect ±0.025%/°C

OUTPUT

Type See Table
 Scaling See Table
 Loading Model B 0-10kΩ
 Models D & X5 ≥2kΩ
 Models E & EM 0-500Ω
 Response time (90%) 5ms typical

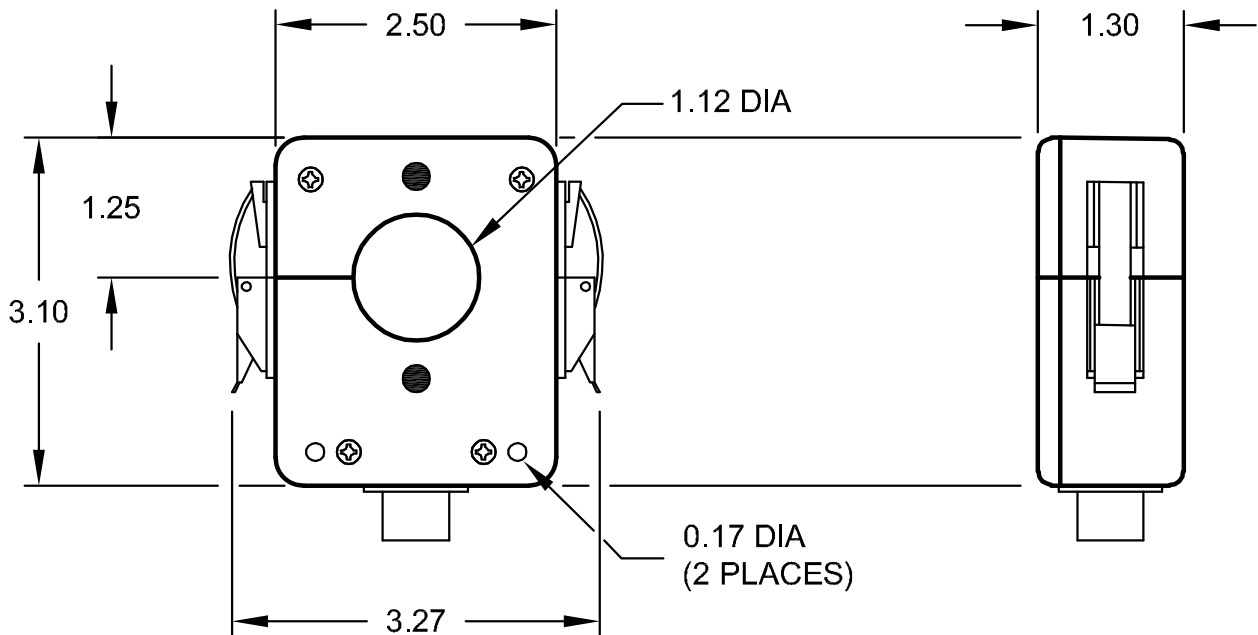
ACCURACY

Setpoint, Linearity & Repeatability ±0.5% F.S.
 Zero Offset (after 10X over-range) .. ±0.04% F.S.

PHYSICAL

Operating Humidity 0-95% non-condensing
 Weight (including cable) ≤0.75lb.
 Termination Supplied with 8 ft., 4-conductor,
 22AWG, detachable cable

CASE DIMENSIONS

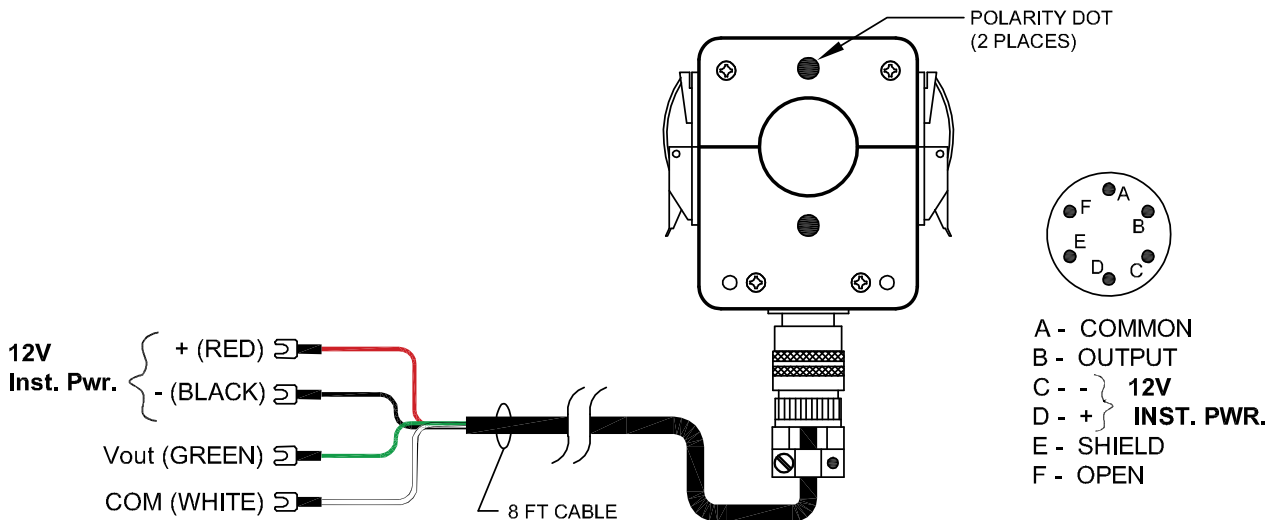


DIMENSIONS ARE IN INCHES

TOLERANCE: ± 0.03 IN

Dwg# 0902-01037-B Rev-B

CONNECTION DIAGRAMS



NOTE: "Red Dot" side of transducer must face the most positive circuit point for output polarity as shown.

Dwg# 0902-01037-B Rev-B