

OSI UNIDIRECTIONAL DC HIGH-VOLTAGE ISOLATOR MODEL VTH-

10kV DIELECTRIC TEST

FEATURES

- Output is electrically isolated from the input and is directly proportional to the input amplitude.
- Input/output dielectric test of 10kV.

APPLICATIONS

- Monitoring of substation or electric circuit performance.
- Isolation and amplification of shunt output.

INPUT DC VOLTS	STANDARD OUTPUTS MODEL VTH-			
	0-1mA _{dc}	4-20mA _{dc}	0-10V _{dc}	0-5V _{dc}
0 - 0.050	015B	015E	015D	015X5
0 - 0.100	016B	016E	016D	016X5
0 - 100	004B	004E	004D	004X5
0 - 250	006B	006E	006D	006X5
0 - 400	008B	008E	008D	008X5
0 - 1000	014B	014E	014D	014X5
0 - 2500	020B	020E	020D	020X5
0 - 4000	022B	022E	022D	022X5



Standard models have 3-ft. input leads.
For optional 15-ft. input leads, add suffix "L" to model number

5 YEAR WARRANTY

ORDERING INFORMATION

Example: 1000V_{dc} Input with a 4-20mA Output.
VTH-014E

SPECIFICATIONS

INPUT

Voltage Range See Table
Over-range w/o damage 120% of Rating
Burden ≤1mA

DIELECTRIC TEST

Input to Output/Instrument Power 10kVac
Instrument Power to Output 2200Vac

INSTRUMENT POWER

Standard 115Vac, 50/60Hz, 3VA

ACCURACY ±0.5% F.S.

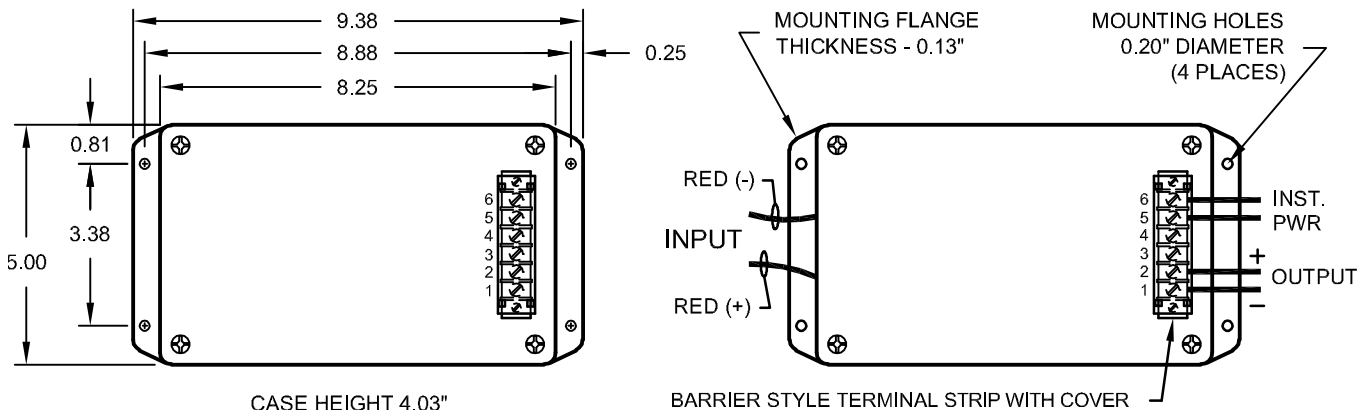
OUTPUT

Response (to 90%) 100ms
Loading
"B" models (0-1mA_{dc} output) ≤10kΩ
"X5", "D" models ... (5V, 10V_{dc} output) ≥2kΩ
"E" models (4-20mA_{dc} output) ≤500Ω

TEMPERATURE & PHYSICAL

Temperature Effect (-10°C to +60°C) ±1.0% Rdg., ±0.1% F.S.
Net Weight 3.0 lb
Input Leads
Wire Size 22AWG
Length Standard 3ft.
with option "L" 15ft.

DIMENSIONS & CONNECTIONS



ALL DIMENSIONS IN INCHES
TOLERANCE - 2 DECIMAL - 0.03"

0902-00813-B

OHIO SEMITRONICS, INC. 4242 REYNOLDS DRIVE * HILLIARD, OHIO * 43026-1264
PHONE: (614) 777-1005 * FAX: (614) 777-4511
WWW.OHIOSEMITRONICS.COM * 1-800-537-6732