

OSI SINGLE-PHASE AC RMS CURRENT TRANSDUCER MODEL DCTR-

DIN-RAIL-MOUNTED AC RMS CURRENT TRANSDUCER

FEATURES

- Accurate measurement of the **true RMS** value of the input signal.
- Universal ac/dc instrument power.
- One model for either 1A or 5A input.



APPLICATIONS

- For use in applications where measurement of non-sinusoidal or distorted waveforms is required.
- Applications that require CE or CSA approvals.
- Perfect for installations that require compact packaging.

5 YEAR WARRANTY



MODEL SELECTION

INPUT AC AMPS	STANDARD OUTPUTS MODEL DCTR-			
	0-1mA dc	4-20mA dc	0-10Vdc	0-5Vdc
0-1 or 0-5	005B	005E	005D	005X5

All standard units require 85-230Vac/dc instrument power.

ORDERING INFORMATION

Example: 1 Amp AC Input with 0 to 10Vdc Output.

DCTR-005D

SPECIFICATIONS

INPUT

Current 0-1Aac or 0-5Aac
 Frequency Range 50/60Hz
 Burden <1VA
 Current Overload.... Continuous..... 120% F.S.
 For 1 second..... 20 X F.S.

DIELECTRIC TEST

Input to Instrument Power/Output/Case 3700Vac
 Instrument Power to Output/Case 3700Vac
 Output to Case 490Vac

INSTRUMENT POWER

Standard..... 85-230Vac/dc, 50/60Hz, 3.0VA

OUTPUT

Loading
 "B" model (0-1mA output)..... 0-15kΩ
 "D", "X5" models..... (0-10, 0-5Vdc)..... 2.5kΩ min.
 "E" model (4-20mA)..... 0-750Ω
 Response Time (to 90%)..... 300ms

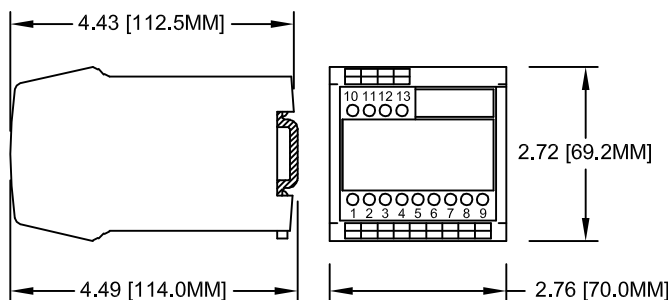
ACCURACY ±0.5% F.S. @ 60Hz

Output Ripple <0.5% p.p.

TEMPERATURE & PHYSICAL

Operating Range -10°C to 55°C
 Termination..... Wire size up to 10AWG
 Net Weight..... 0.7 lbs

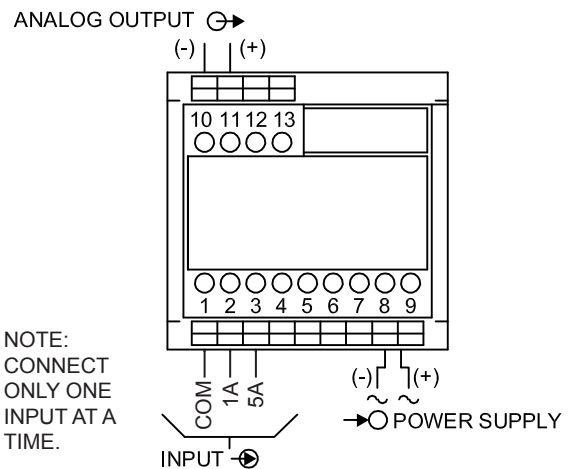
CASE DIMENSIONS



NOTES:

1. DIMENSIONS ARE IN INCHES [MM].
2. MOUNTED ON 35MM TOP-HAT DIN-RAIL.

CONNECTION DIAGRAM



NOTE:
 CONNECT ONLY ONE INPUT AT A TIME.

MEASURING RANGE 0902-00888-B Rev -- (mod.)

OHIO SEMITRONICS, INC.

4242 REYNOLDS DRIVE * HILLIARD, OHIO * 43026-1264
 PHONE: (614) 777-1005 * FAX: (614) 777-4511
 WWW.OHIOSEMITRONICS.COM * 1-800-537-6732