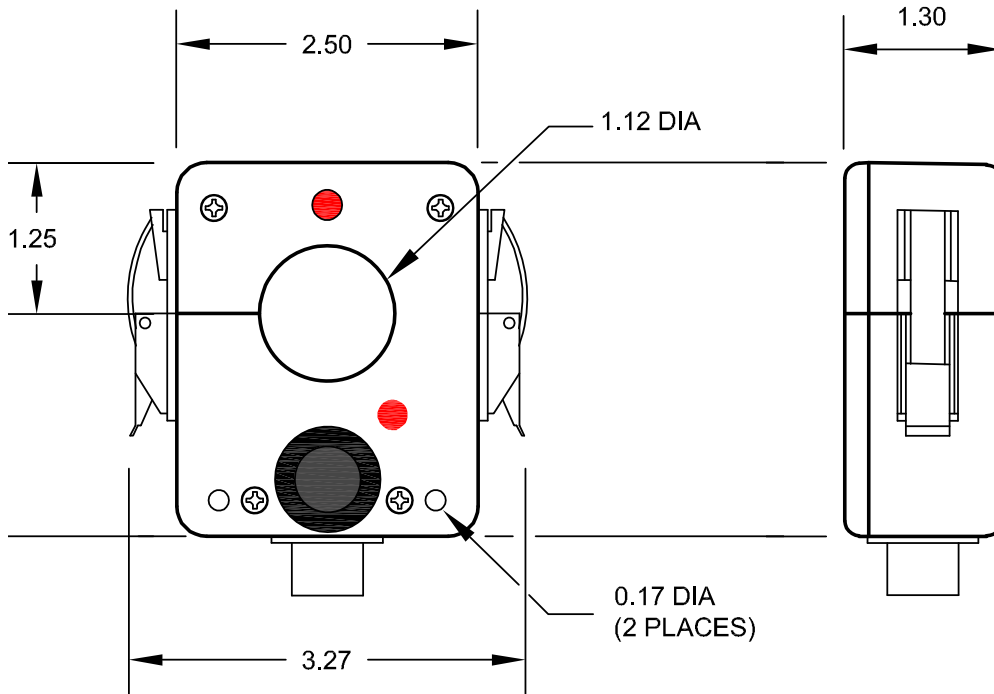


CASE DIMENSIONS

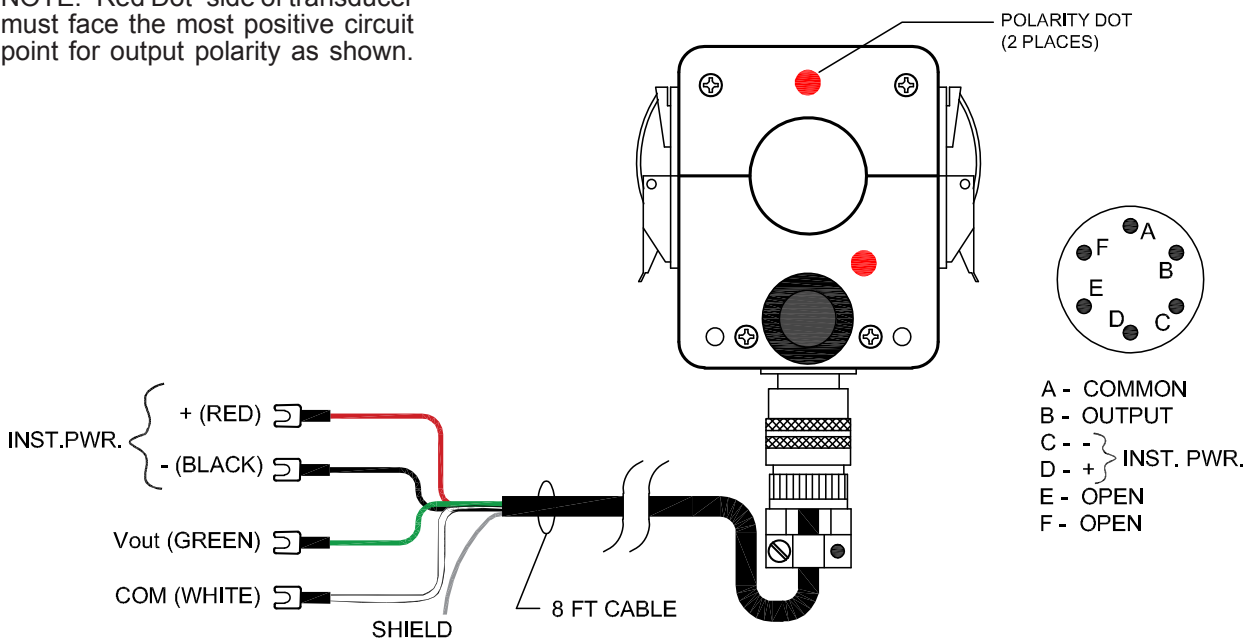


DIMENSIONS ARE IN INCHES
TOLERANCE: ±0.03 IN

Dwg# 0902-01037-B Rev-E

CONNECTION DIAGRAMS

NOTE: "Red Dot" side of transducer must face the most positive circuit point for output polarity as shown.



Dwg# 0902-01037-B Rev-E