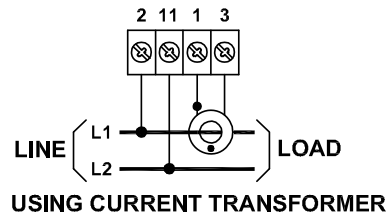
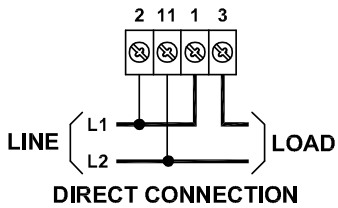
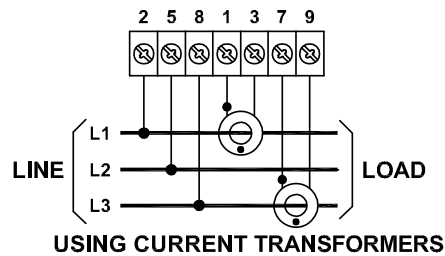
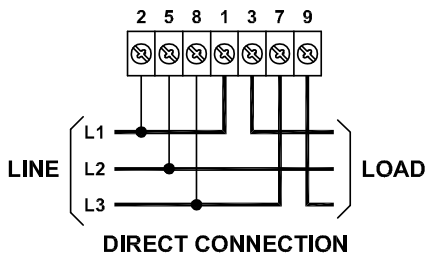


CONNECTIONS

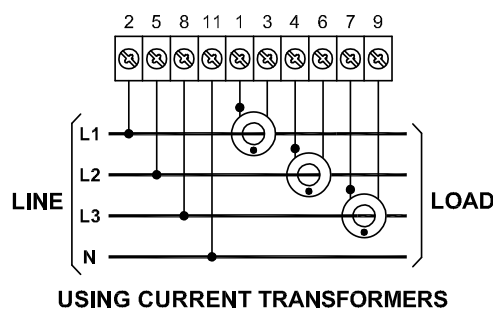
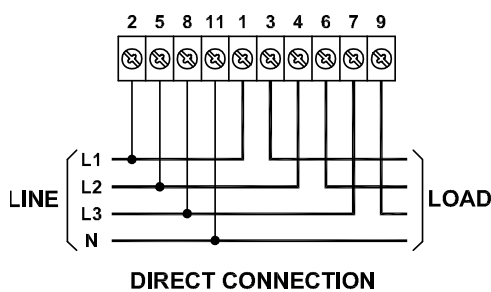
SINGLE-PHASE CONNECTIONS (ONE-ELEMENT)



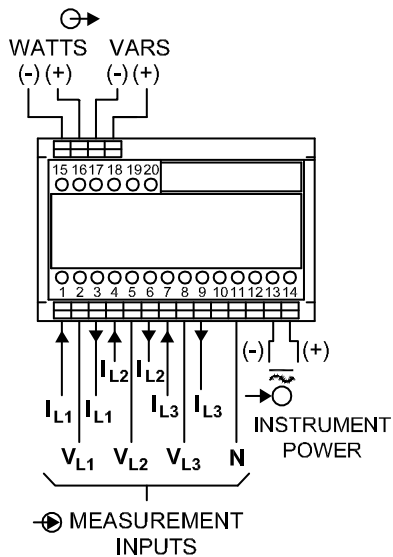
THREE-PHASE, THREE-WIRE CONNECTIONS (TWO-ELEMENT)



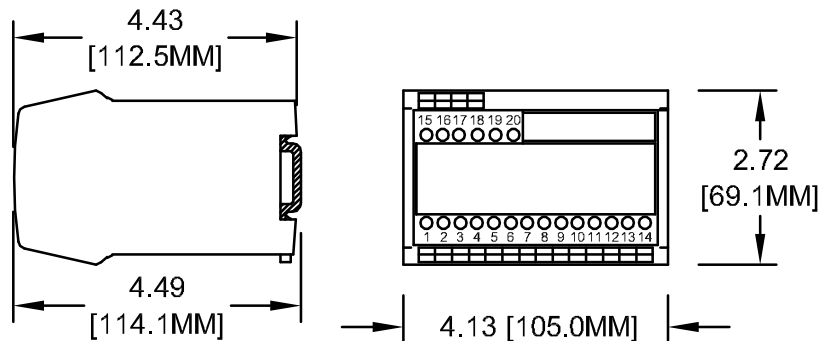
THREE-PHASE, FOUR-WIRE CONNECTIONS (THREE-ELEMENT)



ANALOG OUTPUTS



DIMENSIONS



1. DIMENSIONS ARE IN INCHES [MM].
2. MOUNTED ON 35MM TOP-HAT DIN-RAIL.

Dwg # 0902-00875-B