

DIN-RAIL-MOUNTED FREQUENCY TRANSDUCER

FEATURES

- Frequency measurement of sinusoidal and distorted waveforms.
- Digital period measurement.
- Analog output.

5 YEAR WARRANTY



APPLICATIONS

- For use on any application that requires indication of instantaneous frequency.
- Where CE or CSA is required.

MODEL SELECTION

INPUT FREQUENCY (Hz)	STANDARD OUTPUTS MODEL DFT-				
	0-1mA _d c	0-10V _d c	0-5V _d c	4-20mA _d c	0-20mA _d c
45-55	050B	050D	050X5	050E	050EA
55-65	060B	060D	060X5	060E	060EA
375-425	400B	400D	400X5	400E	400EA

ORDERING INFORMATION

Example: 55-65Hz Input with 0-5V_dc Output.

DFT-060X5

All standard models require instrument power.

Additional frequency and voltage ranges available - Consult factory

Wide-range Frequency Transducers also Available - Consult Factory

DIN Rail lengths available - Consult factory

SPECIFICATIONS

INPUT

Frequency Range See Table
 Voltage Range 10-230Vac
 Burden <1.0VA
 Overload 120% F.S. voltage continuous
 200% F.S. voltage for 1 second

OUTPUT

Loading
 "B" models (0-1mA_dc) 0-15kΩ
 "D", "X5" models (0-10, 0-5V_dc) 2.5kΩ min.
 "E" & "EA" models (4-20, 0-20mA_dc) 0-750Ω
 Response Time 4 Periods of Input Frequency

INSTRUMENT POWER

Standard 85-230V_dc/ac, 50/60Hz, 3.5VA

DIELECTRIC TEST

Input to Instrument Power/Output/Case 3700Vac
 Instrument Power to Output/Case 3700Vac
 Output to Case 490Vac

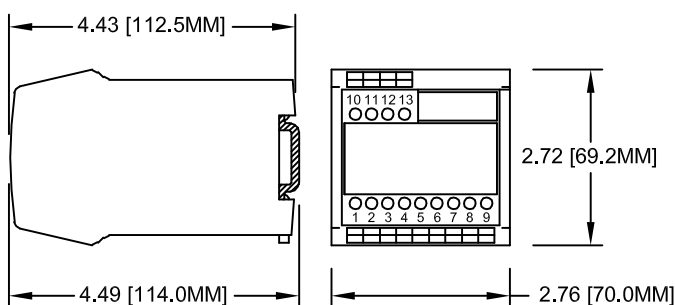
ACCURACY

50Hz, 60Hz Models ±0.02Hz
 400Hz Model ±0.1Hz
 Output Ripple <0.5% p.p.

TEMPERATURE & PHYSICAL

Temperature Range -10°C to 55°C
 Termination #10 AWG max.
 Net Weight 0.7 Lbs.

CASE DIMENSIONS AND CONNECTION DIAGRAM



NOTES

1. DIMENSIONS ARE IN INCHES [MM].
2. MOUNTED ON 35MM TOP-HAT DIN-RAIL.

Dwg# 0902-00869-B Rev --

ANALOG OUTPUT

