

SPECIFICATIONS (Continued)

MEASUREMENT UNCERTAINTY

Ref. Cond.: 15-30°C, sinusoidal, meas. over 8 cycles, PF=1, 50-60Hz
 Voltage, Current ± (0.08% Rdg. + 0.02% F.S.)**
 Power ± (0.16% Rdg. + 0.04% F.S.) **
 Power Factor ± 0.1° **
 **Additional uncertainty for voltage of 0.1% and for PF of 0.1° if neutral wire is not connected. F.S. Power based on F.S. Current x F.S. Voltage
 Frequency ± 0.01Hz
 Voltage & Current Imbalance ± 0.5%
 Harmonics ± 0.5%
 THD Voltage, TDD Current ± 0.5%
 Active Energy Class 0.5S, EN 62053-22
 Reactive Energy Class 2, EN 62053-23

REAL-TIME CLOCK

Uncertainty.. ±2 min./mo. (15-30°C), trimmable via software
 Synchronizationvia sync pulse or NTP server
 Battery Life.....> 10 years

PHYSICAL AND ENVIRONMENTAL

NOTE: Intended for indoor use only!

Enclosure MaterialPolycarbonate (Makrolon)
 Weight.....1.1 lb (500g)
 Flammability Class.....UL94V-0, halogen-free
 Operating Temperature.....-10 ... 15 ... 30 ... + 55°C
 Storage Temperature-25 to +70°C
 Temperature Effect.....0.5 x basic uncertainty per 10°C
 Long-term Drift.....0.2 x basic uncertainty per year
 Others Usage group II (EN 60688)
 Relative Humidity < 95% non-condensing
 Altitude..... ≤ 2000m max.
 OrientationAny

APPLIED STANDARDS, REGULATIONS & DIRECTIVES

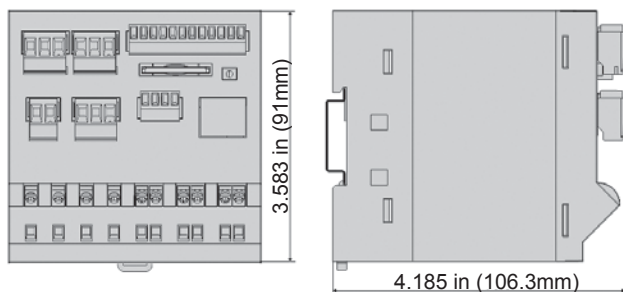
IEC/EN 61010-1 Safety of electric measuring, control & laboratory equipment
IEC/EN 60688 Transducers for converting AC variables into analog or digital signals
DIN 40110 AC quantities
IEC/EN 60068-2-1/-2/-3/-6/-27 ambient tests: -1 Cold, -2 Dry heat, -3 Damp heat, -6 Vibration, -27 Shock
IEC/EN 60529 Protection type by case
2002/95/EG (RoHS) EC directive on the restriction of the use of certain hazardous substances
IEC/EN 61000-6-2/6-4 Electromagnetic compatibility (EMC) standards for industrial environments
IEC/EN 61131-2 Programmable controllers - equipment, requirements and tests (digital I/O 12/24Vdc)
IEC/EN 61326 EMC requirements for electrical equipment for measurement, control & laboratory use
IEC/EN 62053-31 Pulse output devices for electronic and electromechanical meters (SO output)
UL94V-0 Test for flammability of plastic materials for parts in devices and appliances

SAFETY & ENVIRONMENTAL

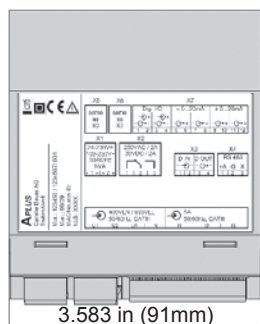
Current inputs are galvanically isolated from each other.
 Protection class.....II (protective insulation, voltage inputs via protective impedance)
 Pollution degree2
 Protection RatingIP64 (front), IP40 (housing), IP20 (terminals)
 Measurement Category CAT III, CAT II (relays)

CASE DIMENSIONS & CONNECTIONS

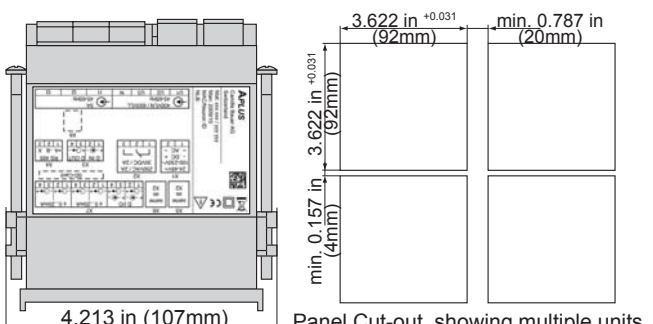
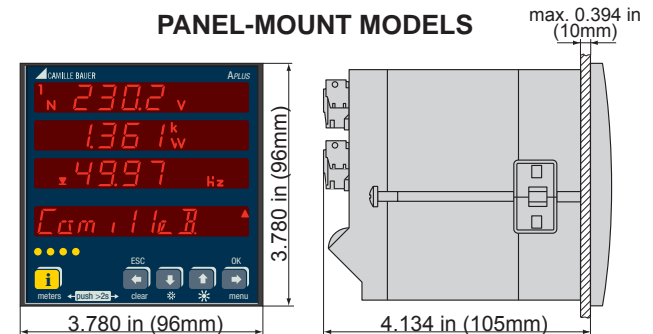
DIN-RAIL MOUNT MODELS (NO DISPLAY)



Mounts on standard 35mm Top-Hat Din-Rail per EN50022.



PANEL-MOUNT MODELS



Panel Cut-out, showing multiple units