

## ELECTRONIC, SPLIT-CORE

### FEATURES

- Split-core
- Large window

**5 YEAR WARRANTY**

### APPLICATIONS

- Neutral current measurement
- Multiple conductors



## MODEL SELECTION

INPUT (Aac)	STANDARD OUTPUTS MODEL ECT-		SENSOR SIZE
	0-0.333Vac	0-1.0Vac	
0-10	10C-.3V	10C-1V	C
0-10	10D-.3V	10D-1V	D

## SPECIFICATIONS

***For use over insulated conductors only!***

### INPUT

Current ..... 0-10Aac  
 Over-current ..... 1.2 X F.S.  
 Frequency Range ..... 50-60Hz

### OUTPUT

Type ..... See Table  
 Loading .....  $\geq 500k\Omega$

### INSTRUMENT POWER

Type ..... 24Vac/dc,  $\pm 10\%$ ,  $< 12mA$

### DIELECTRIC TEST

Input to Output/Instr. Pwr. .... 2500Vac, 1min.

### ACCURACY

10-100% F.S. .... 0.30% Reading

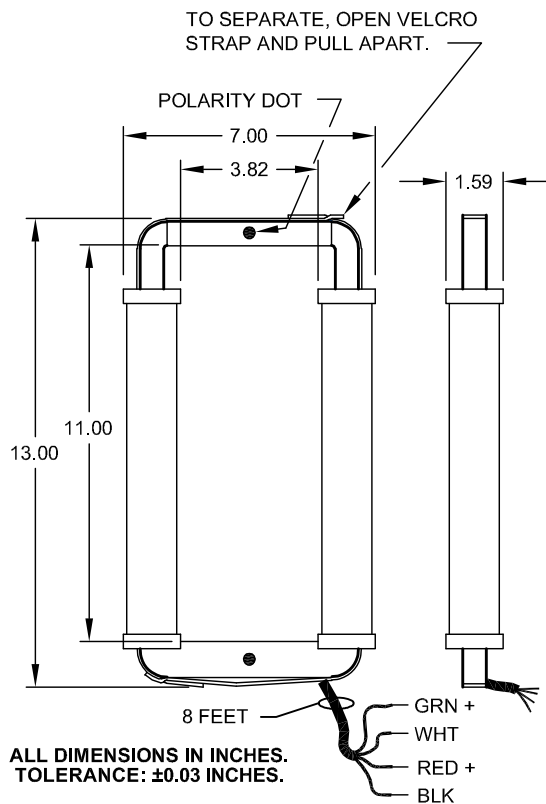
### PHYSICAL

Weight ..... 5.5lbs., approx.  
 Leads  
 Instrument Power ..... 96", 20AWG  
 Output ..... 96", 20AWG  
 Termination (all leads) ..... Stripped and tinned

### ENVIRONMENTAL

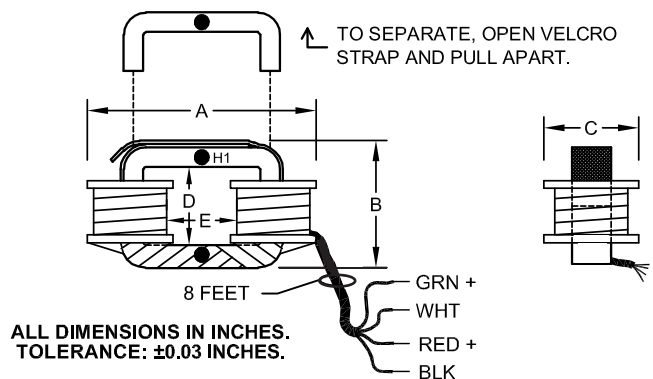
Operating Temperature ..... 0-55°C  
 Operating Humidity ..... 0-95% Non-condensing

## DIMENSIONS & CONNECTIONS (D)



WIRE COLOR	SIGNAL	
Red	+	Instrument Power
Black	-	
Green	+	Output
White	-	

## DIMENSIONS & CONNECTIONS (C)



SENSOR SIZE	DIMENSIONS (inches)					WT. (lbs.)
	A	B	C	D	E	
C	5.50	4.90	1.60	3.15	3.20	1.5