

# OSI SINGLE-PHASE AC VOLTAGE TRANSDUCER MODEL DVT-

## DIN-RAIL-MOUNTED AC VOLTAGE TRANSDUCER

### DESCRIPTION

The DVT model transducers provide an electrically-isolated output which is proportional to the applied voltage. Transducer output is derived from the arithmetic mean value of the input and calibrated as the RMS value of a sine wave input.

The transducer fulfills requirements and regulations regarding EMC and safety (IEC 1010) and was designed, manufactured and tested in accordance with ISO 9001.



### FEATURES

- Voltage ranges up to 600V.
- Current and voltage outputs available.
- Compact DIN-rail packaging.

5 YEAR WARRANTY

### APPLICATIONS

- Where voltage measurements are required.
- Where CE or CSA approvals are required.
- SCADA, process control or OEM applications.

## MODEL SELECTION

INPUT AC VOLTS	STANDARD OUTPUTS MODEL DVT-				
	0-1mAdc*	4-20mAdc	4-20mAdc**	0-10Vdc	0-5Vdc
0-90	090A	090E	090E2	090C	090CX5
0-150	120A	120E	120E2	120C	120CX5
0-300	240A	240E	240E2	240C	240CX5
0-600	600A	600E	600E2	600C	600CX5

### ORDERING INFORMATION

Example: 120Vac Input  
with 4-20mA Output.  
**DVT-120E**

DIN Rail lengths available - Consult factory

\* "A" models are self-powered from measured voltage line.

\*\* "E2" loop-powered models require 12-32Vdc instr. power.

"E", "C" & "CX5" models require instrument power.  
Optional 230Vac instrument power - add suffix "-22"

## SPECIFICATIONS

### INPUT

Voltage ..... See Table  
Frequency Range ..... 50/60Hz  
Burden ..... <2VA  
Overload ..... 120% of F.S.

### DIELECTRIC TEST

Input to Instrument Power/Output/Case.....3700Vac  
Instrument Power to Output/Case.....3700Vac  
Output to Case.....490Vac

### INSTRUMENT POWER

"A" models..... Self-powered  
"E", "C" & "CX5" models..... 100-135Vac, 50/60Hz, 3VA  
"E2" loop-powered models..... 12-32Vdc  
"-22" Option..... 230Vac, 50/60Hz, ±15%

### OUTPUT

Response Time (to 90% F.S.) ..... 300ms  
Loading  
"A" models ..... 0-15kΩ  
"C" & "CX5" models ..... 2.5kΩ minimum  
"E" models ..... 0-750Ω  
"E2" models ..... 0-600Ω @ 24V

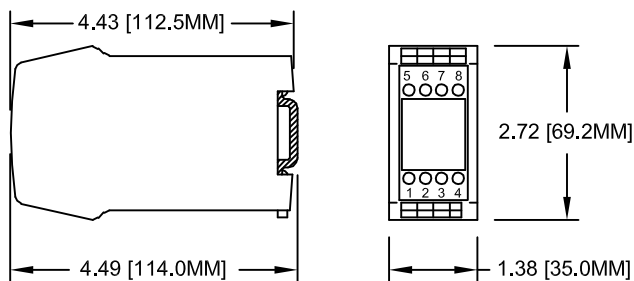
### ACCURACY

..... ±0.5% F.S. @ 60Hz  
Includes effects of linearity (20%-100%) and setpoint.  
Output Ripple ..... <1.0% p.p.

### TEMPERATURE & PHYSICAL

Temperature Range ..... -10°C to +55°C  
Termination ..... #10 AWG max.  
Net Weight ..... 0.6 lb

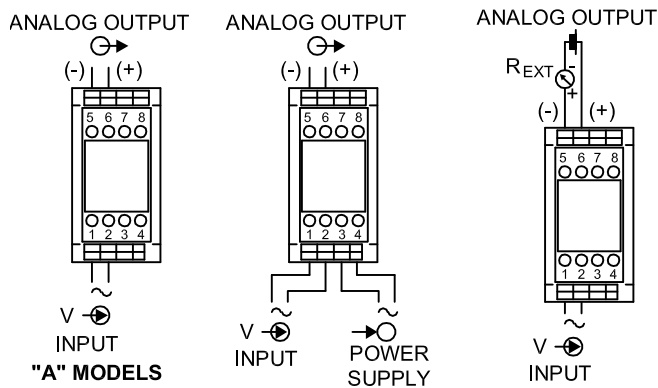
## CASE DIMENSIONS



NOTES:  
1. DIMENSIONS ARE IN INCHES [MM].  
2. MOUNTED ON 35MM TOP-HAT DIN-RAIL.

Dwg# 0902-00866-B Rev --

## CONNECTION DIAGRAMS



# OHIO SEMITRONICS, INC.

4242 REYNOLDS DRIVE \* HILLIARD, OHIO \* 43026-1264  
PHONE: (614) 777-1005 \* FAX: (614) 777-4511  
WWW.OHIOSEMITRONICS.COM \* 1-800-537-6732